

You could totally **write**
a **novel** on this.

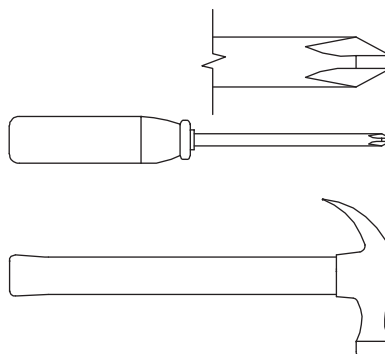
Sit Stand Desk

Model 5422378

Table of Contents

Assembly Tools Required

Part Identification	2-3
Hardware Identification	4-5
Assembly Steps	6-38
Français	39-43
Español	44-48
Safety	49-50
Warranty	51



No. 2 Phillips Screwdriver
Tip Shown Actual Size

Hammer
Not actual size 😊

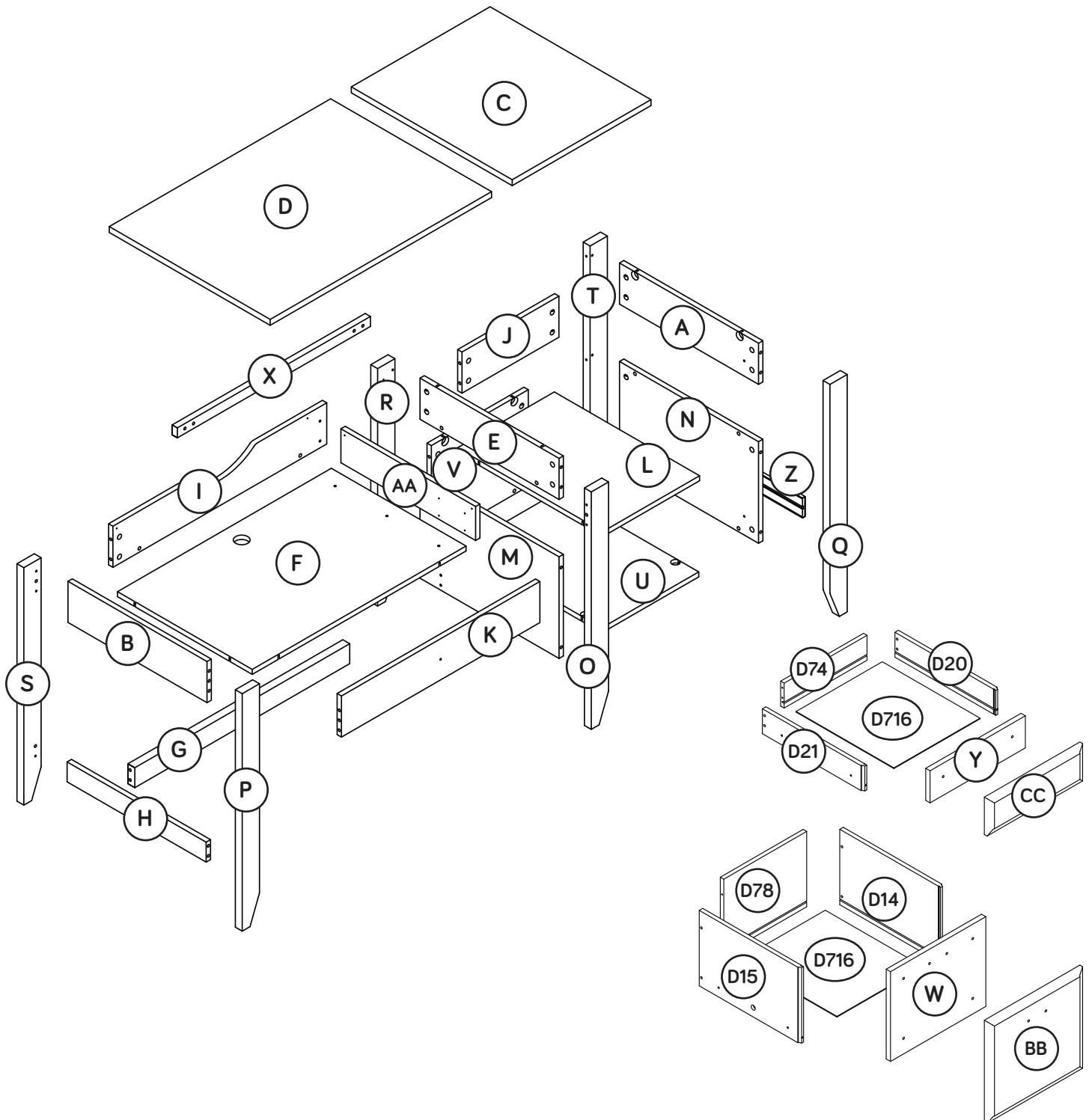
A	RIGHT END (1)	F	LARGE BOTTOM (1)	R	REAR LEG (1)
B	LEFT END (1)	G	BACK STRETCHER (1)	S	LEFT REAR LEG (1)
C	TOP (1)	H	STRETCHER (1)	T	RIGHT REAR LEG (1)
D	LIFT TOP (1)	I	LONG BACK (1)	U	PEDESTAL BOTTOM (1)
D14	LARGE RIGHT DRAWER SIDE (1)	J	SMALL BACK (1)	V	PEDESTAL BACK (1)
D15	LARGE LEFT DRAWER SIDE (1)	K	FRONT (1)	W	LARGE DRAWER BOX FRONT (1)
D20	SMALL RIGHT DRAWER SIDE (1)	L	SHELF (1)	X	LIFT TOP STRETCHER (1)
D21	SMALL LEFT DRAWER SIDE (1)	M	PEDESTAL LEFT END (1)	Y	SMALL DRAWER BOX FRONT (1)
D74	SMALL DRAWER BACK (1)	N	PEDESTAL RIGHT END (1)	Z	END MOLDING (1)
D78	LARGE DRAWER BACK (1)	O	FRONT LEG (1)	AA	SMALL UPRIGHT (1)
D716	DRAWER BOTTOM (2)	P	LEFT FRONT LEG (1)	BB	LARGE DRAWER FRONT (1)
E	UPRIGHT (1)	Q	RIGHT FRONT LEG (1)	CC	SMALL DRAWER FRONT (1)

Part Identification

Now you know
our ABCs.

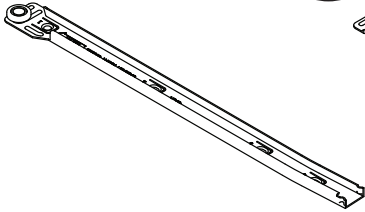


† While not all parts are labeled, some of the parts will have a label or an inked letter on the edge to help distinguish similar parts from each other. Use this part identification to help identify similar parts.

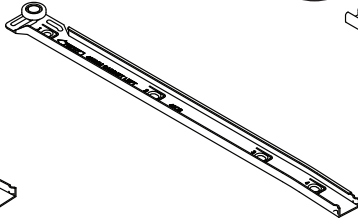


Hardware Identification

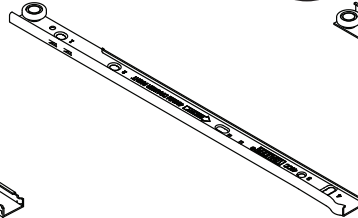
40CA CABINET RIGHT - 1



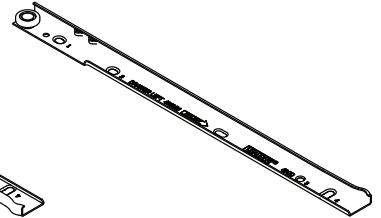
40CB CABINET LEFT - 1



40CC DRAWER RIGHT - 1

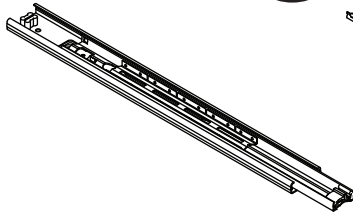


40CD DRAWER LEFT - 1

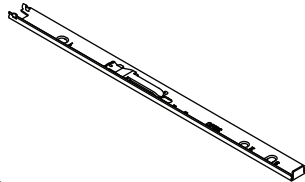


(EXTENSION SET SHOWN SEPARATED)

35MA EXTENSION RAIL - 2



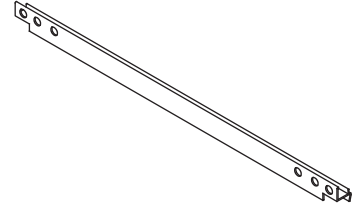
35MC EXTENSION SLIDE - 2



10A SLIDE CAM - 4



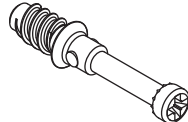
4B FILE GLIDE - 2



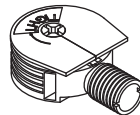
1F HIDDEN CAM - 37



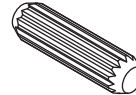
8F CAM SCREW - 37



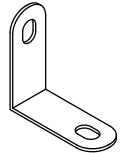
7F TWIST-LOCK® FASTENER - 24



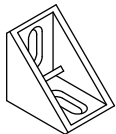
15F WOOD DOWEL - 7



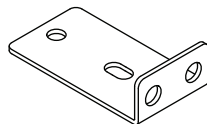
2G METAL BRACKET - 1



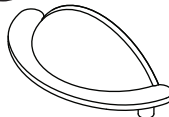
5G ANGLE BRACKET - 3



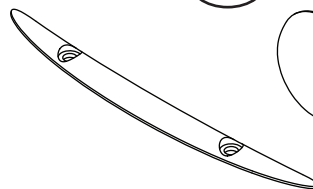
37G SUPPORT BRACKET - 2



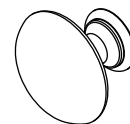
7K PULL - 2



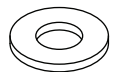
21K LONG PULL - 2



188K KNOB - 1



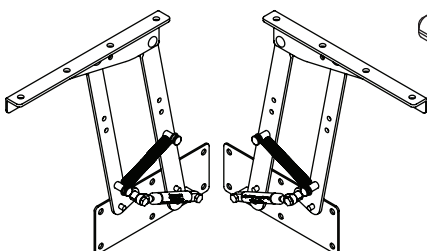
13M WASHER - 8



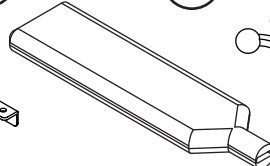
24M NUT - 8



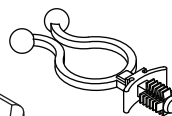
141M LIFT TABLE MECHANISM SET - 1



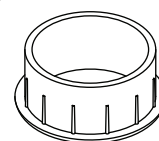
177M GLUE - 1



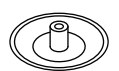
9P CORD CLIP - 4



10P GROMMET - 1



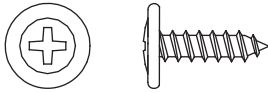
12P CAM COVER - 10



Hardware Identification

† Screws are shown actual size. You may receive extra hardware with your unit.

1S BLACK 9/16" LARGE HEAD SCREW - 28



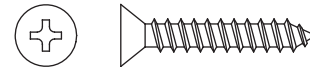
3S GOLD 5/16" FLAT HEAD SCREW - 16



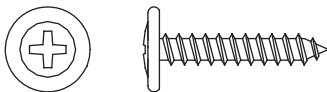
11S BLACK 1/2" FLAT HEAD SCREW - 4



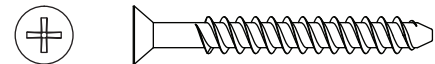
12S BROWN 1" FLAT HEAD SCREW - 2



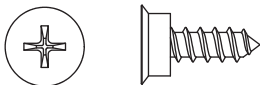
17S BLACK 7/8" LARGE HEAD SCREW - 6



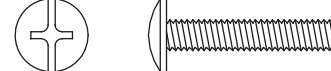
30S BLACK 1-9/16" FLAT HEAD SCREW - 8



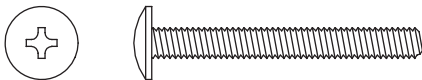
32S BLACK 9/16" FLAT HEAD SCREW - 2



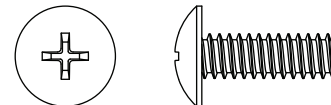
37S BLACK 7/8" MACHINE SCREW - 1



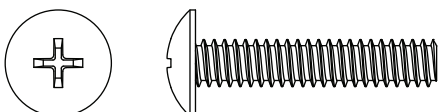
39S GRAY 1-3/8" MACHINE SCREW - 4



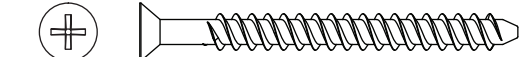
92S BLACK 3/4" MACHINE SCREW - 4



93S BLACK 1-1/4" MACHINE SCREW - 4



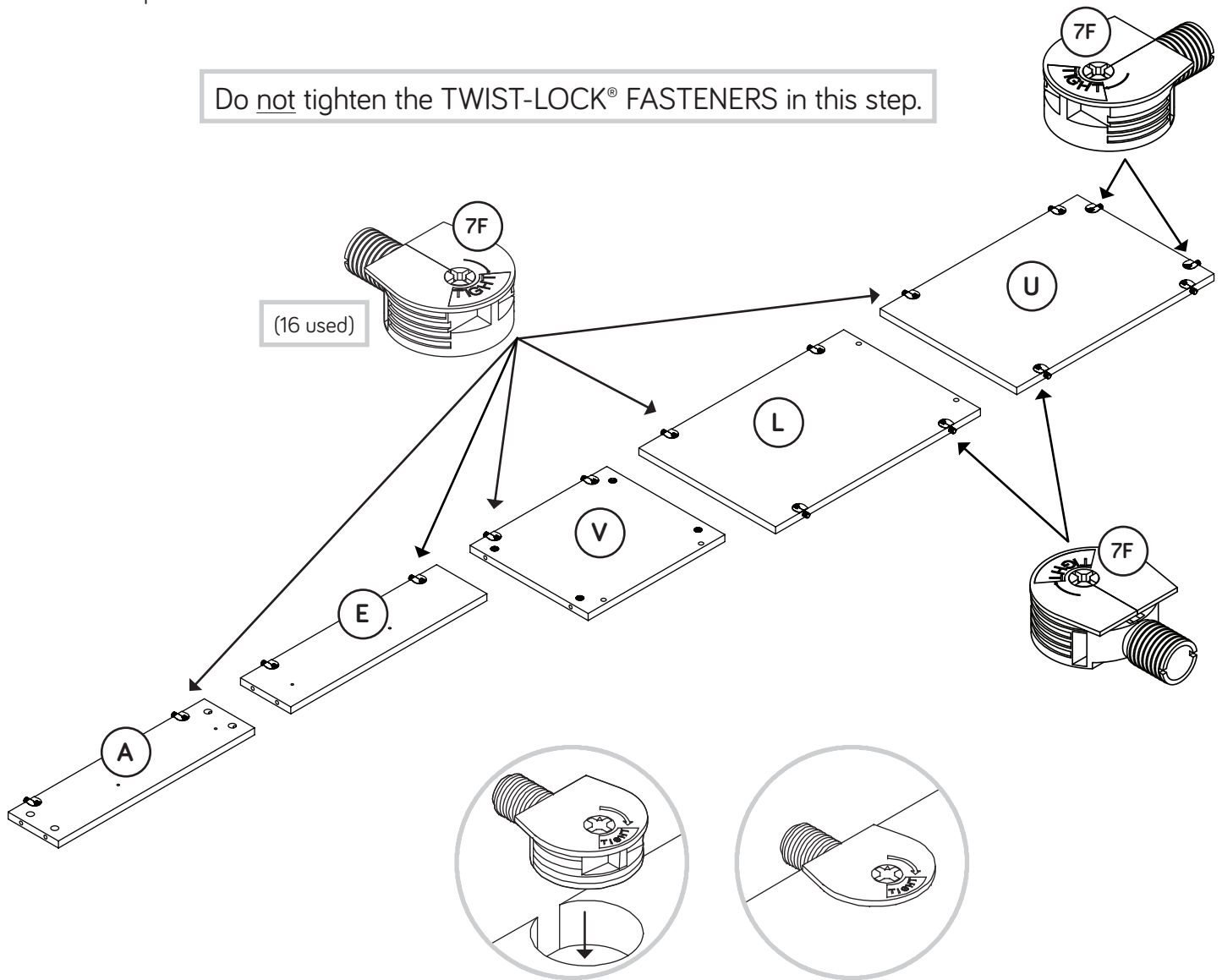
113S BLACK 1-15/16" FLAT HEAD SCREW - 5



Step 1

- ✦ Assemble your unit on a carpeted floor or on the empty carton to avoid scratching your unit or the floor.
- ✦ To begin assembly, push sixteen SAUDER TWIST-LOCK® FASTENERS (7F) into the large holes in the RIGHT END (A), UPRIGHT (E), SHELF (L), PEDESTAL BOTTOM (U), and PEDESTAL BACK (V).
- ✦ **NOTE:** The remaining TWIST-LOCK® FASTENERS will be used in Step 14.

Do not tighten the TWIST-LOCK® FASTENERS in this step.

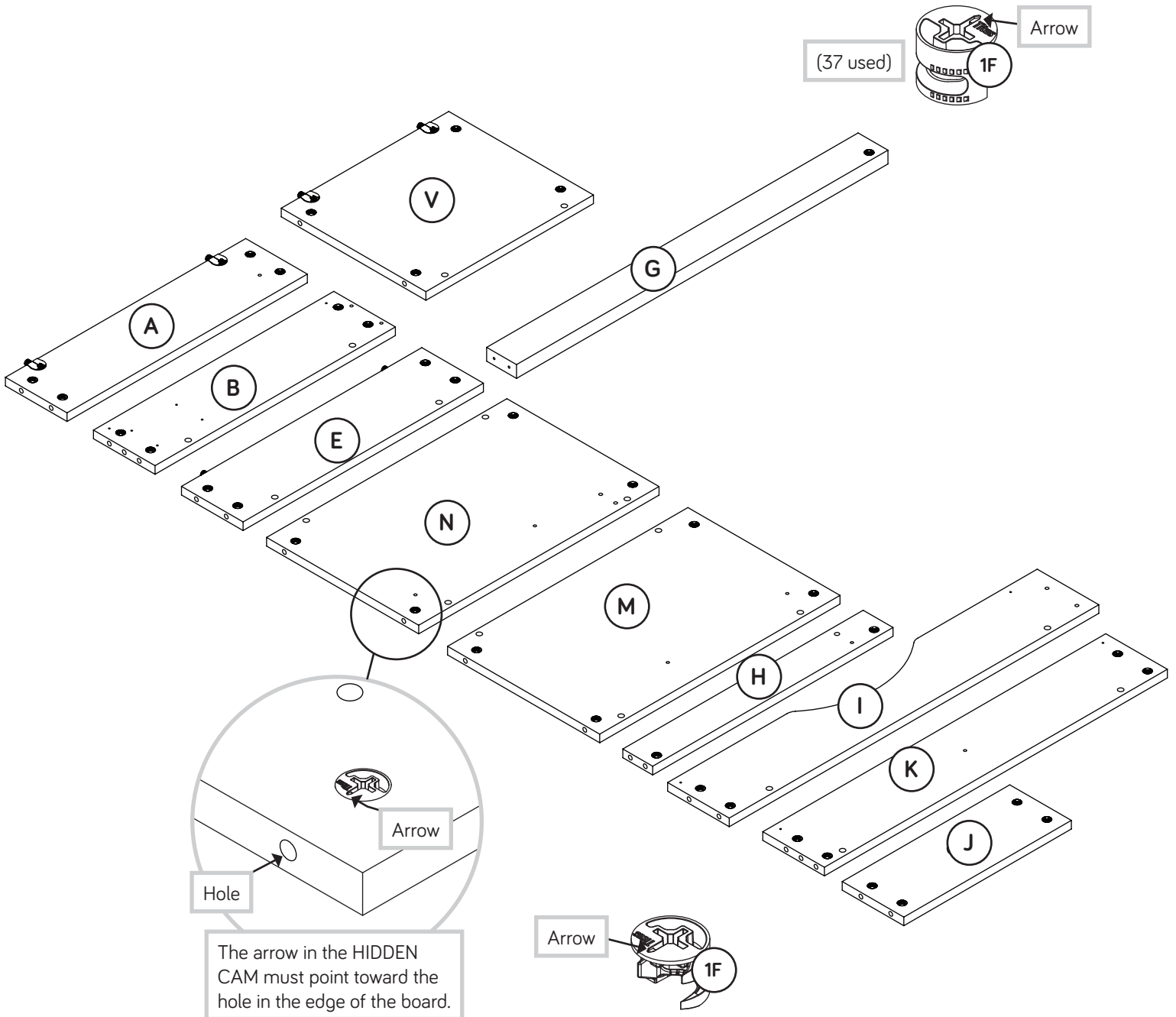


Step 2

Push thirty-seven HIDDEN CAMS (1F) into the ENDS (A and B), BACK STRETCHER (G), UPRIGHT (E), STRETCHER (H), LONG BACK (I), SMALL BACK (J), FRONT (K), PEDESTAL ENDS (M and N), and PEDESTAL BACK (V).

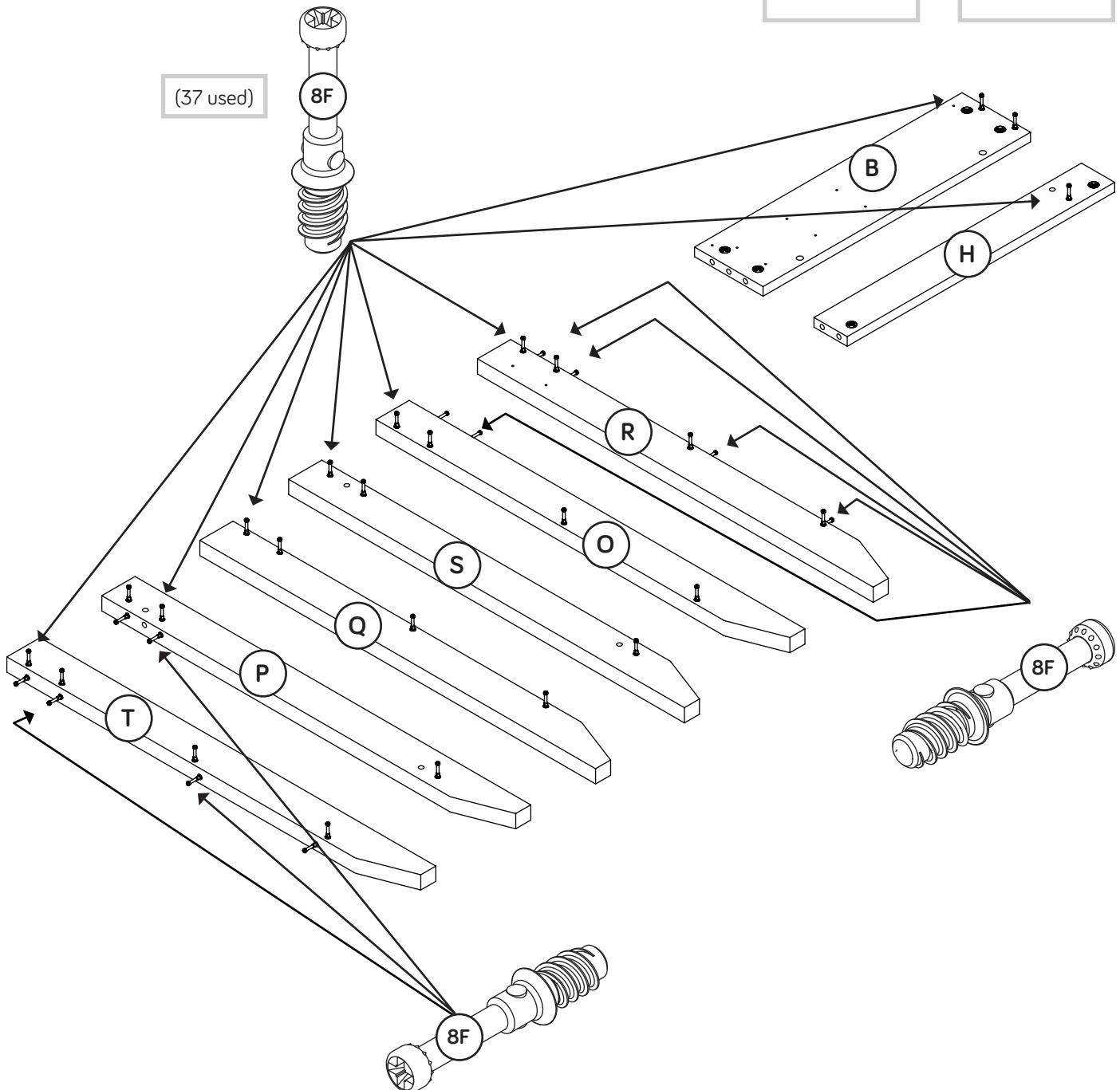
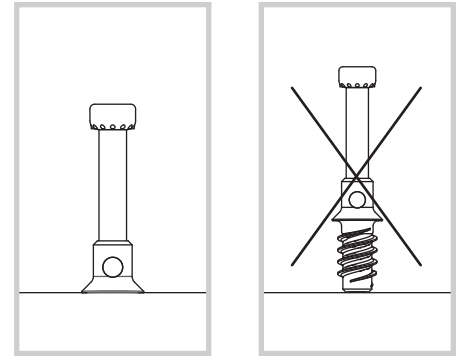


Some assembly
(and snacks) required.



Step 3

Turn thirty-seven CAM SCREWS (8F) into the LEGS (O, P, Q, R, S, and T), LEFT END (B), and STRETCHER (H).



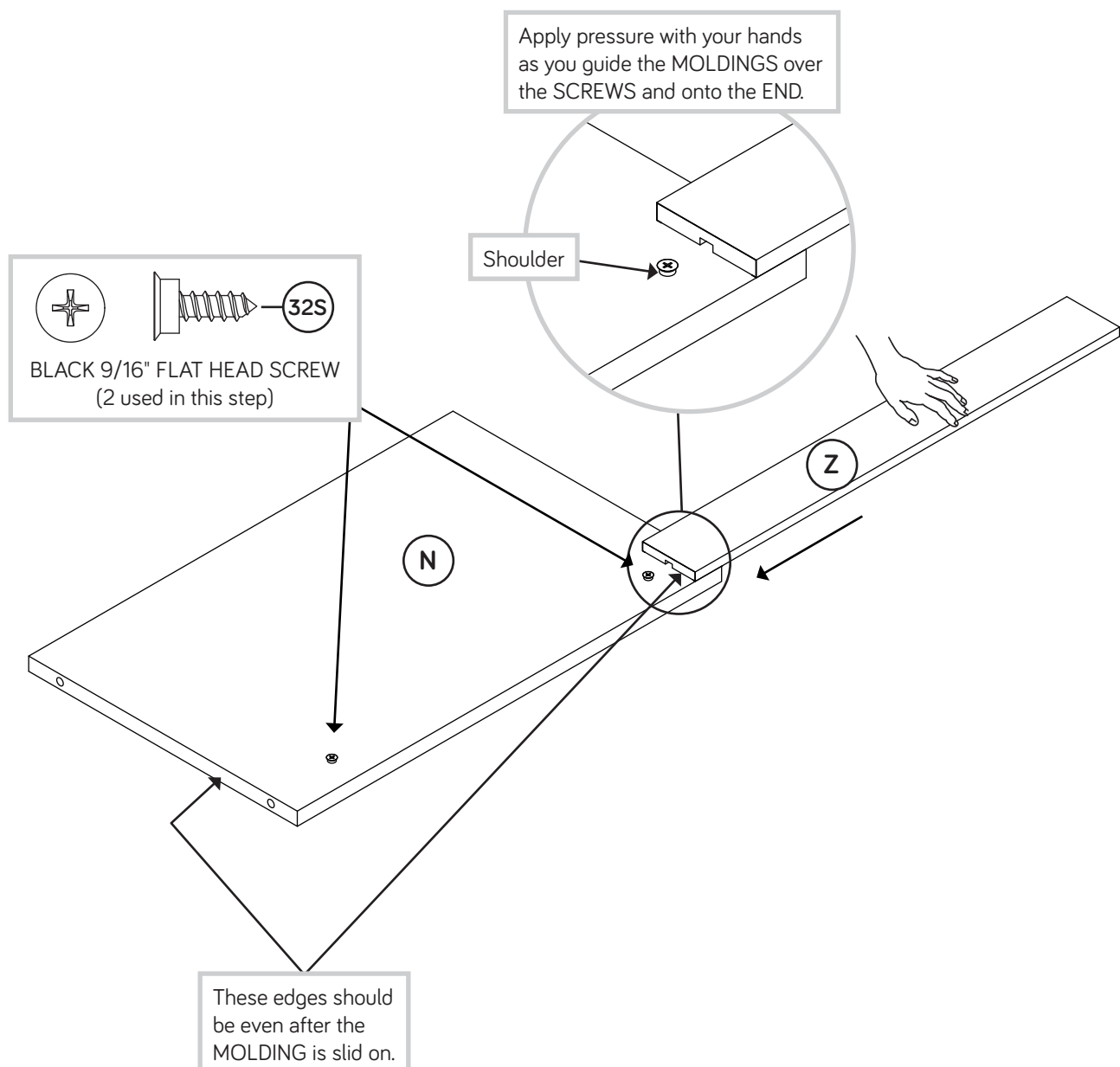
Step 4

Turn two BLACK 9/16" FLAT HEAD SCREWS (32S) into the PEDESTAL RIGHT END (N) until the shoulders of the SCREWS rest on the surface of the PEDESTAL RIGHT END.

NOTE: Do not overtighten the SCREWS.

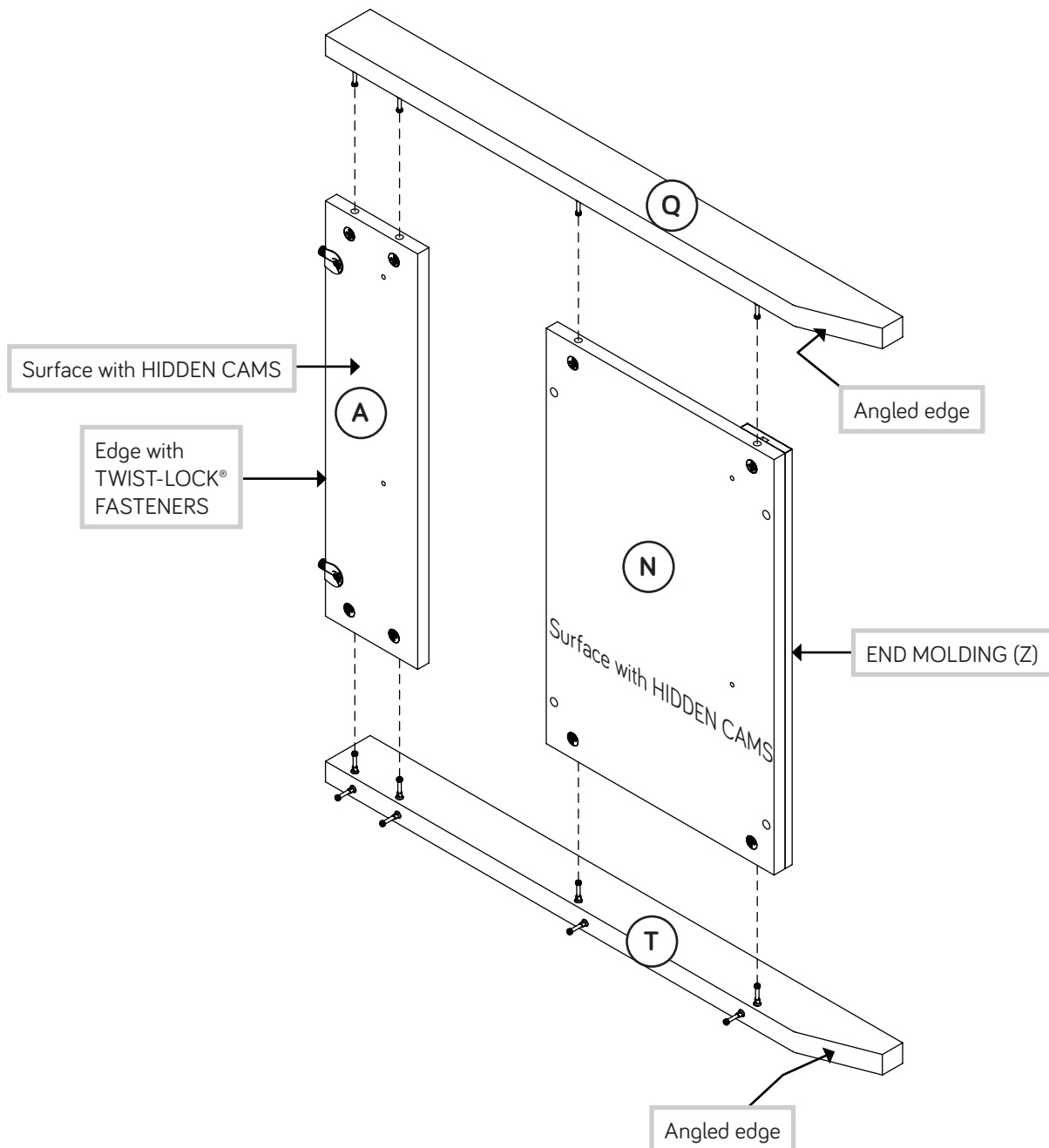
Slide the END MOLDING (Z) onto the PEDESTAL RIGHT END (N). Line up the groove in the MOLDING over the heads of the SCREWS in the PEDESTAL RIGHT END.

NOTE: If the MOLDING comes up off of the SCREWS, remove it and slide it on again.



Step 5

- Fasten the RIGHT END (A) and PEDESTAL RIGHT END (N) to the RIGHT REAR LEG (T). Tighten four HIDDEN CAMS.
- Fasten the RIGHT FRONT LEG (Q) to the RIGHT END (A) and PEDESTAL RIGHT END (N). Tighten four HIDDEN CAMS.



Step 6

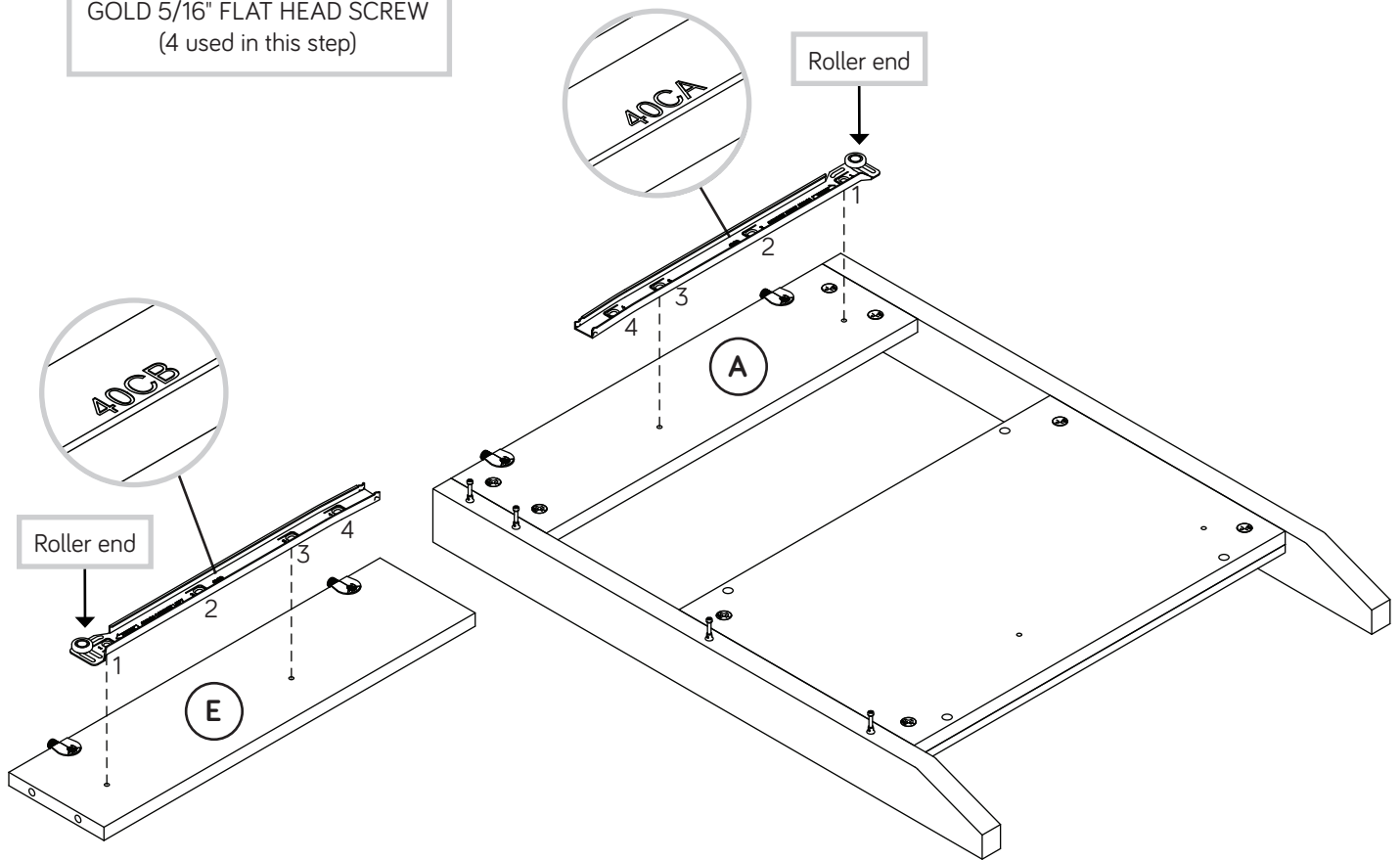
Fasten the CABINET RIGHT (40CA) to the RIGHT END (A) and the CABINET LEFT (40CB) to the UPRIGHT (E). Use four GOLD 5/16" FLAT HEAD SCREWS (3S) through holes #1 and #3.



Don't worry. It isn't Rome. This can be built in a day.

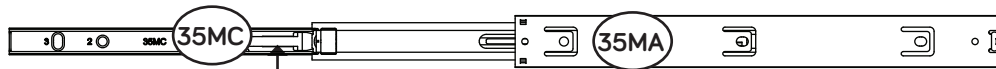


GOLD 5/16" FLAT HEAD SCREW
(4 used in this step)

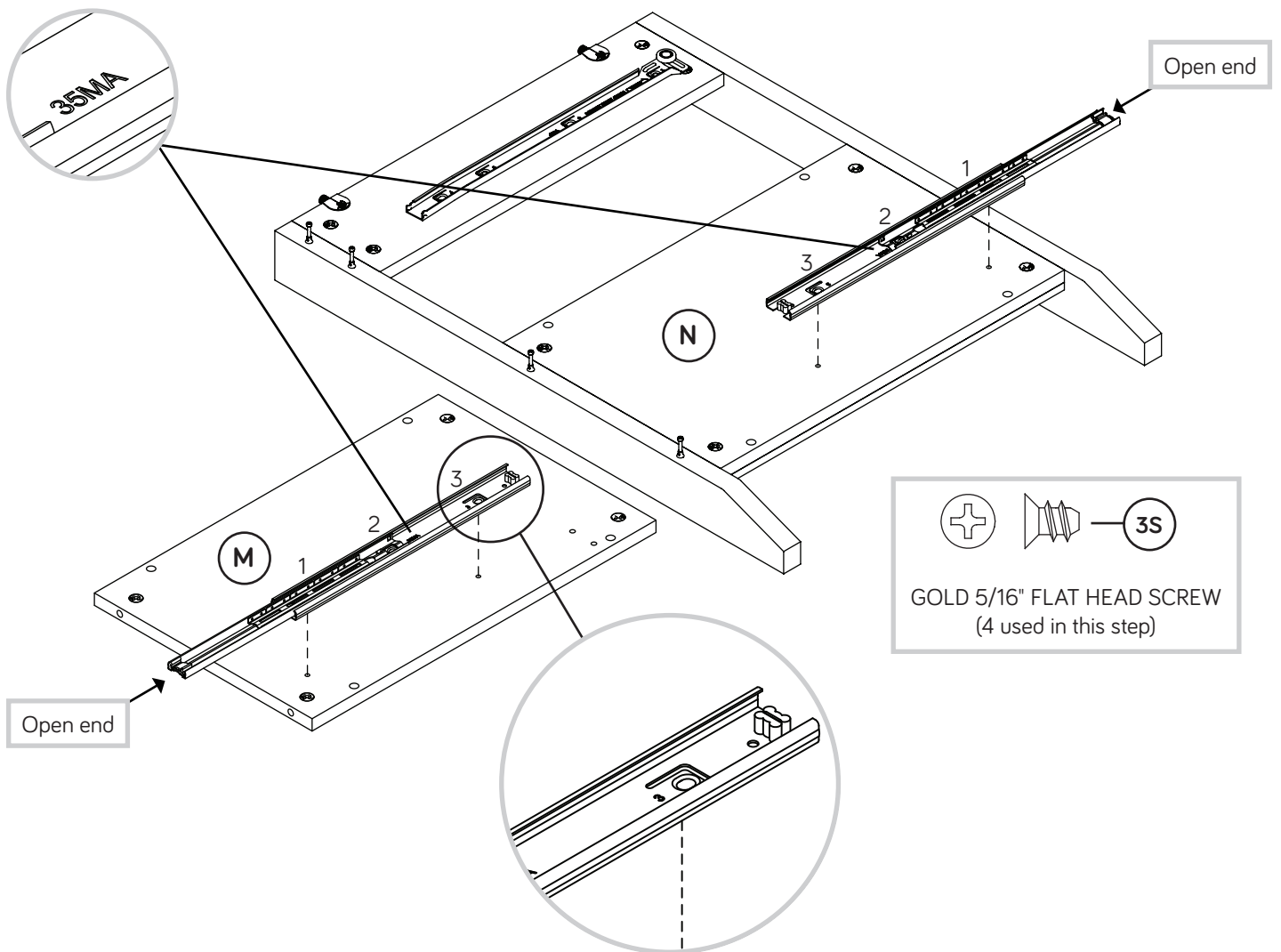


Step 7

- ✚ Separate the EXTENSION SLIDES (35MC) from the EXTENSION RAILS (35MA) as shown in the upper diagram below. Be prepared, the parts are greasy.
- ✚ Fasten the EXTENSION RAILS (35MA) to the PEDESTAL RIGHT END (N) and PEDESTAL LEFT END (M). Use four GOLD 5/16" FLAT HEAD SCREWS (3S) through holes #1 and #3.
- ✚ **NOTE:** For each EXTENSION RAIL, turn a SCREW into the hole shown in the enlarged diagram. Then, slide the inner cartridge of the EXTENSION RAIL in to find the other hole that lines up with the hole in the ENDS. Turn a SCREW into this hole.
- ✚ **NOTE:** The EXTENSION SLIDES (35MC) will be used later for the DRAWERS.



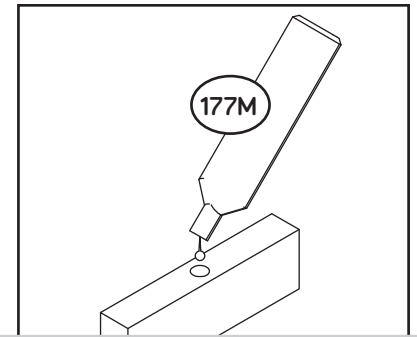
Push the black lever in and pull the SLIDE from the RAIL.



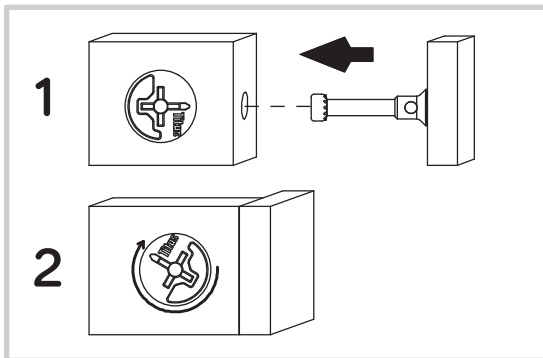
Step 8

First, fill the holes in the LEFT REAR LEG (S) 1/4 to 1/2 full with GLUE (177M). Then, insert the WOOD DOWELS (15F) into the holes. Wipe away the excess GLUE.

Now, fill the holes in the LEFT END (B) and STRETCHER (H) 1/4 to 1/2 full with GLUE. Then, insert the WOOD DOWELS (15F) in the LEFT REAR LEG (S) into these holes. Tighten three HIDDEN CAMS. Wipe away the excess GLUE.

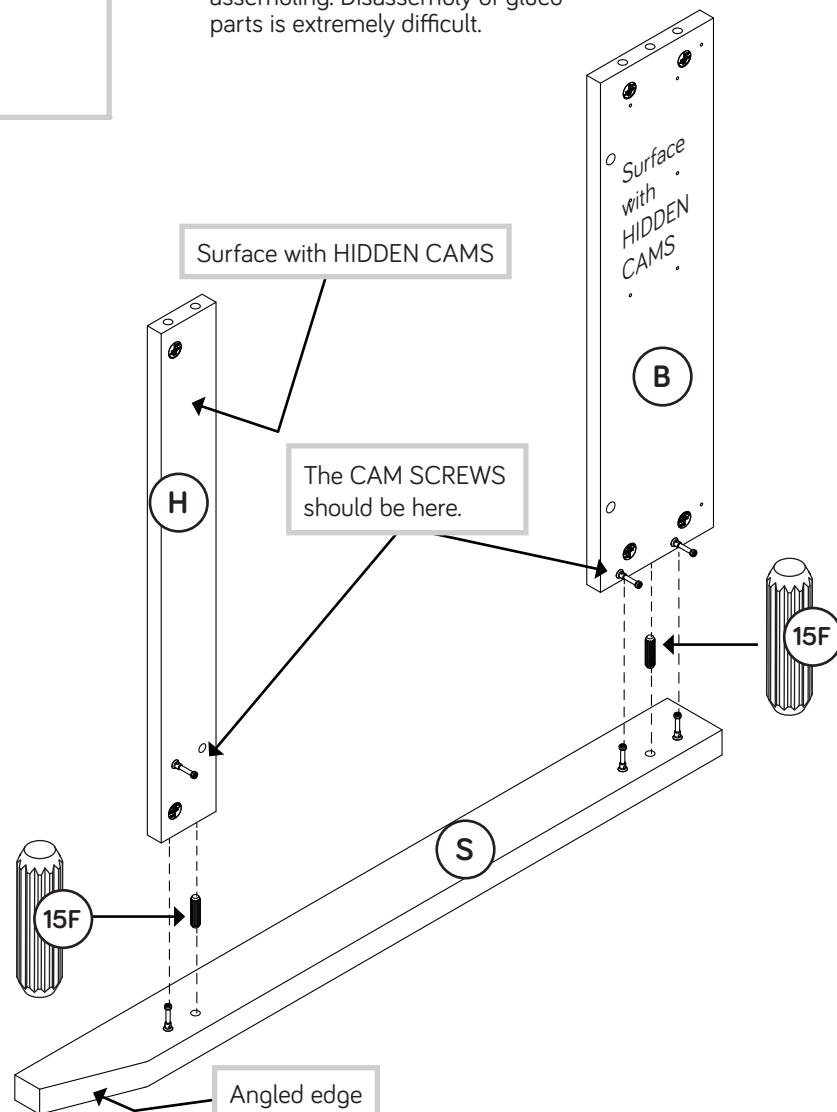


Fill the holes 1/4 to 1/2 full with GLUE.



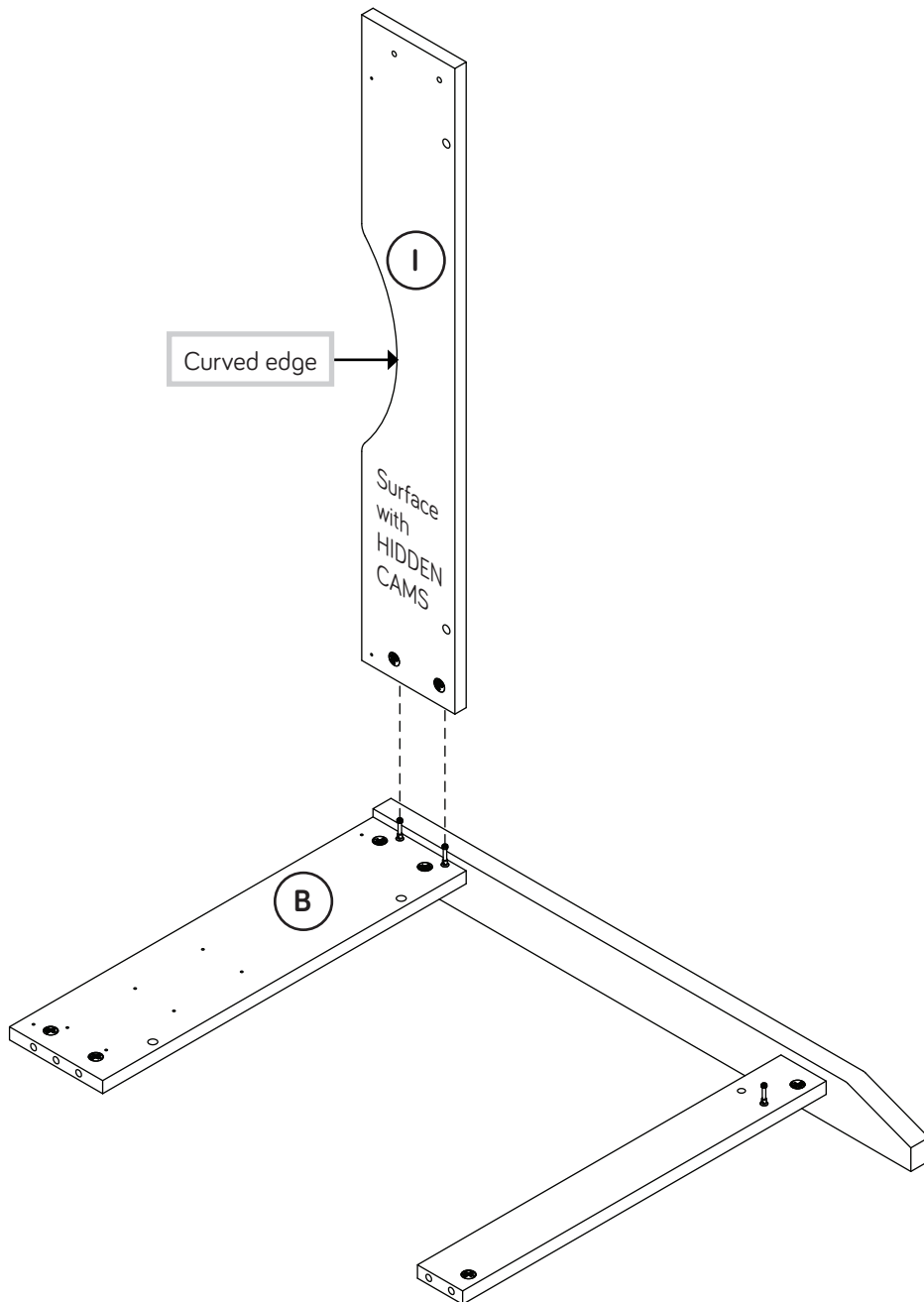
⚠ Caution

Inspect the parts thoroughly before assembling. Disassembly of glued parts is extremely difficult.



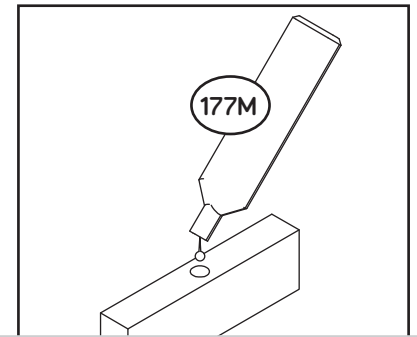
Step 9

- Fasten the LONG BACK (I) to the LEFT END (B). Tighten two HIDDEN CAMS.



Step 10

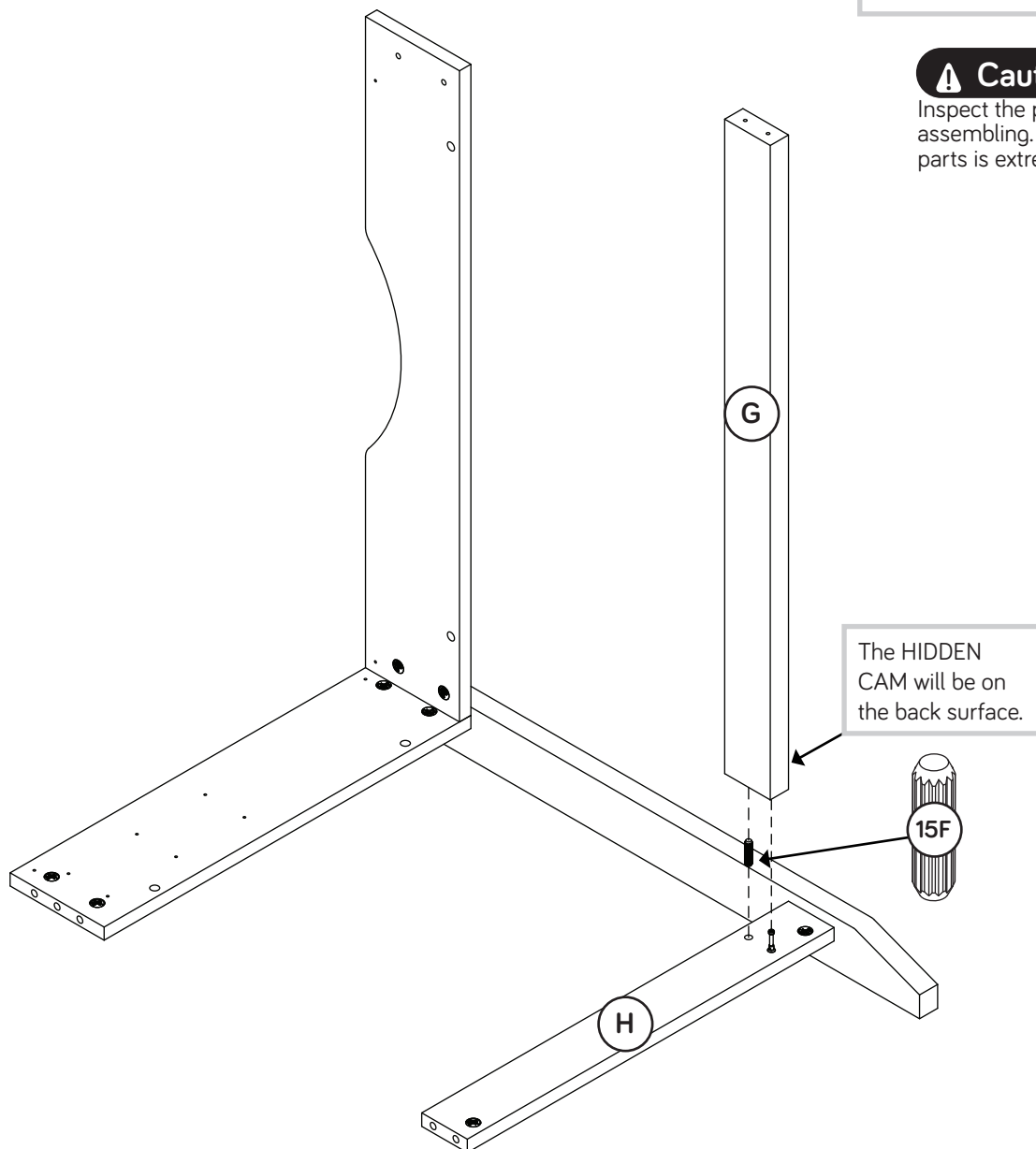
- First, fill the hole in the STRETCHER (H) 1/4 to 1/2 full with GLUE (177M). Then, insert the WOOD DOWEL (15F) into the hole. Wipe away the excess GLUE.
- Now, fill the hole in the BACK STRETCHER (G) 1/4 to 1/2 full with GLUE. Then, insert the WOOD DOWEL (15F) in the STRETCHER (H) into this hole. Tighten the HIDDEN CAM. Wipe away the excess GLUE.



Fill the holes 1/4 to 1/2 full with GLUE.

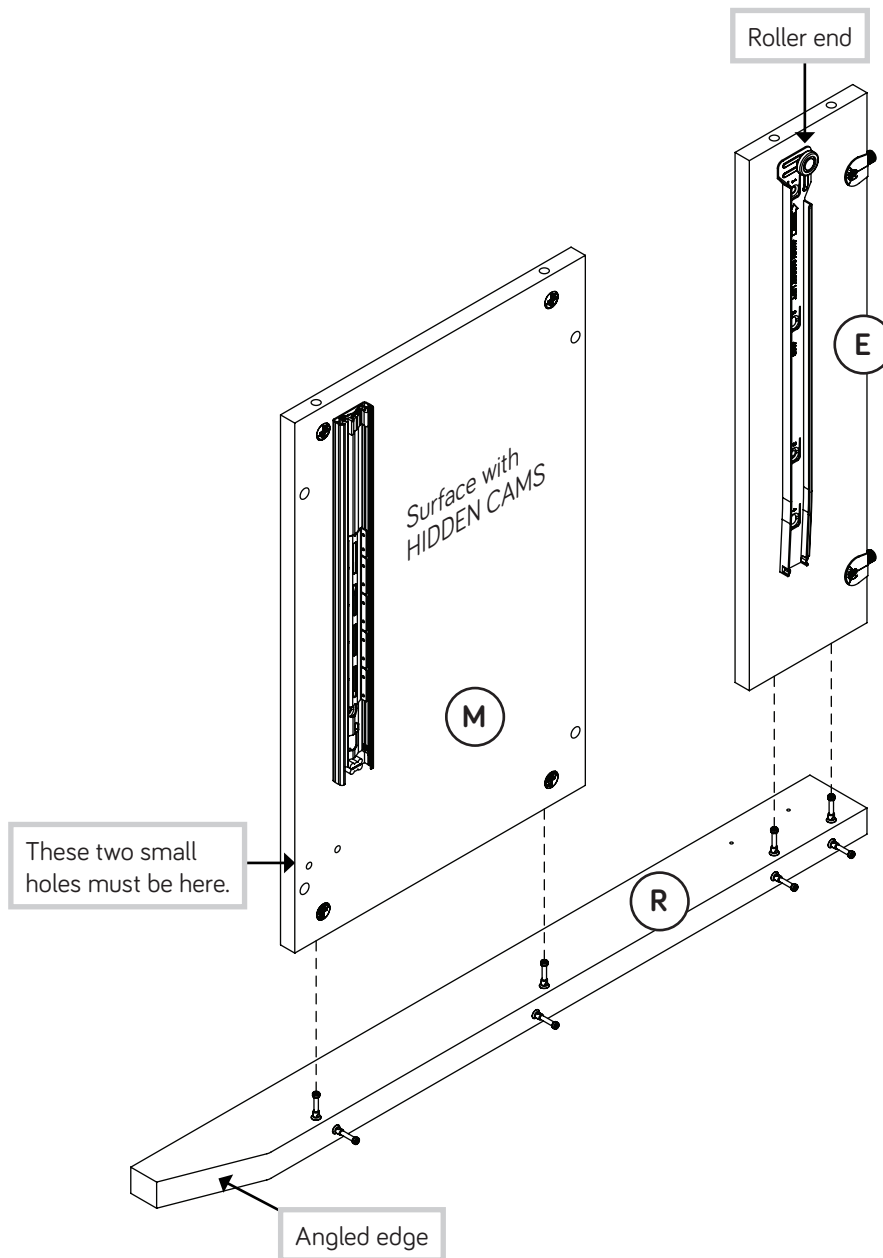
⚠ Caution

Inspect the parts thoroughly before assembling. Disassembly of glued parts is extremely difficult.



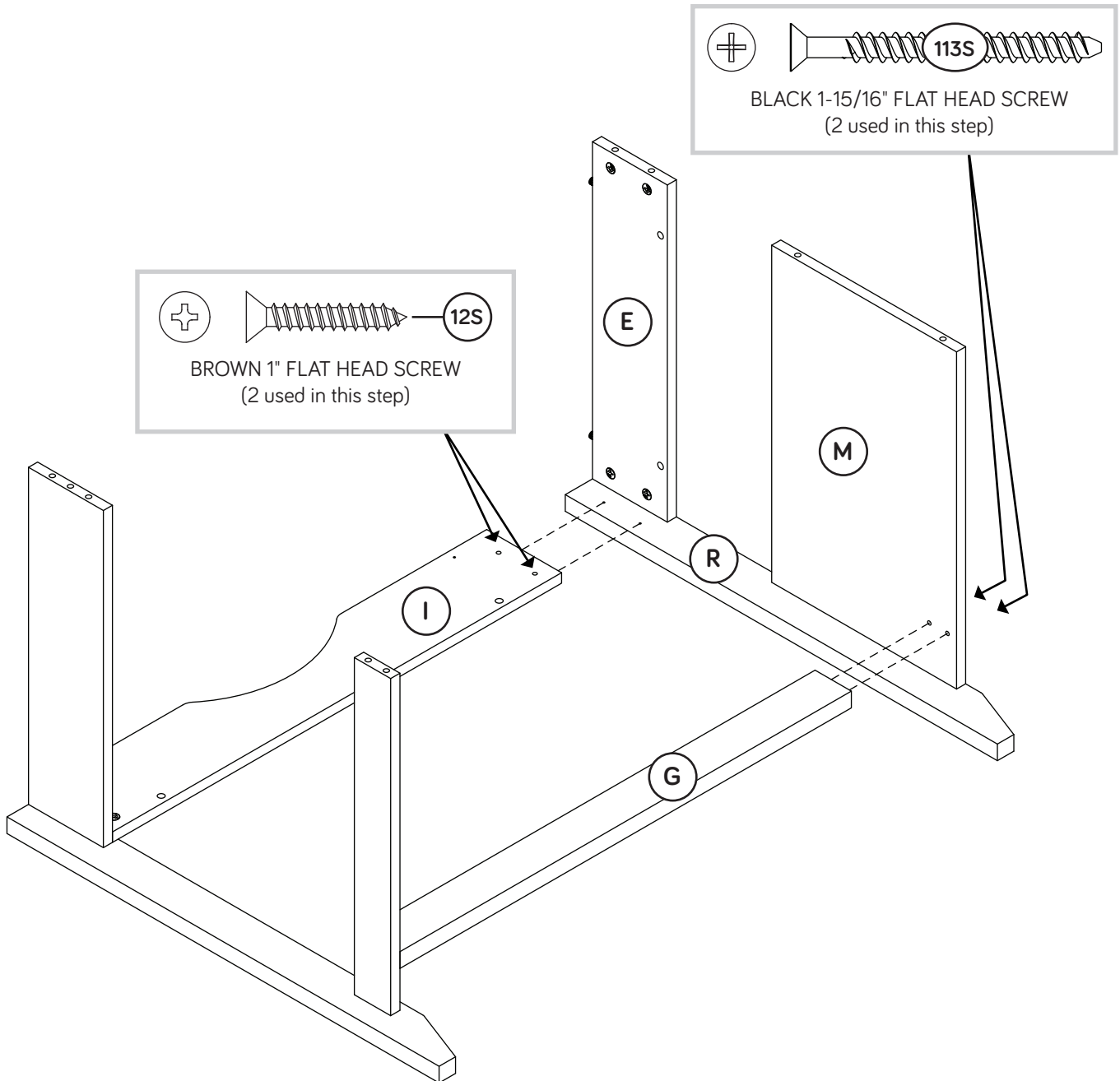
Step 11

- Fasten the UPRIGHT (E) and PEDESTAL LEFT END (M) to the REAR LEG (R).
Tighten four HIDDEN CAMS.



Step 12

- Fasten the BACK LEG (R) to the LONG BACK (I). Use two BROWN 1" FLAT HEAD SCREWS (12S).
- Fasten the PEDESTAL LEFT END (M) to the BACK STRETCHER (G). Use two BLACK 1-15/16" FLAT HEAD SCREWS (113S).



Step 13

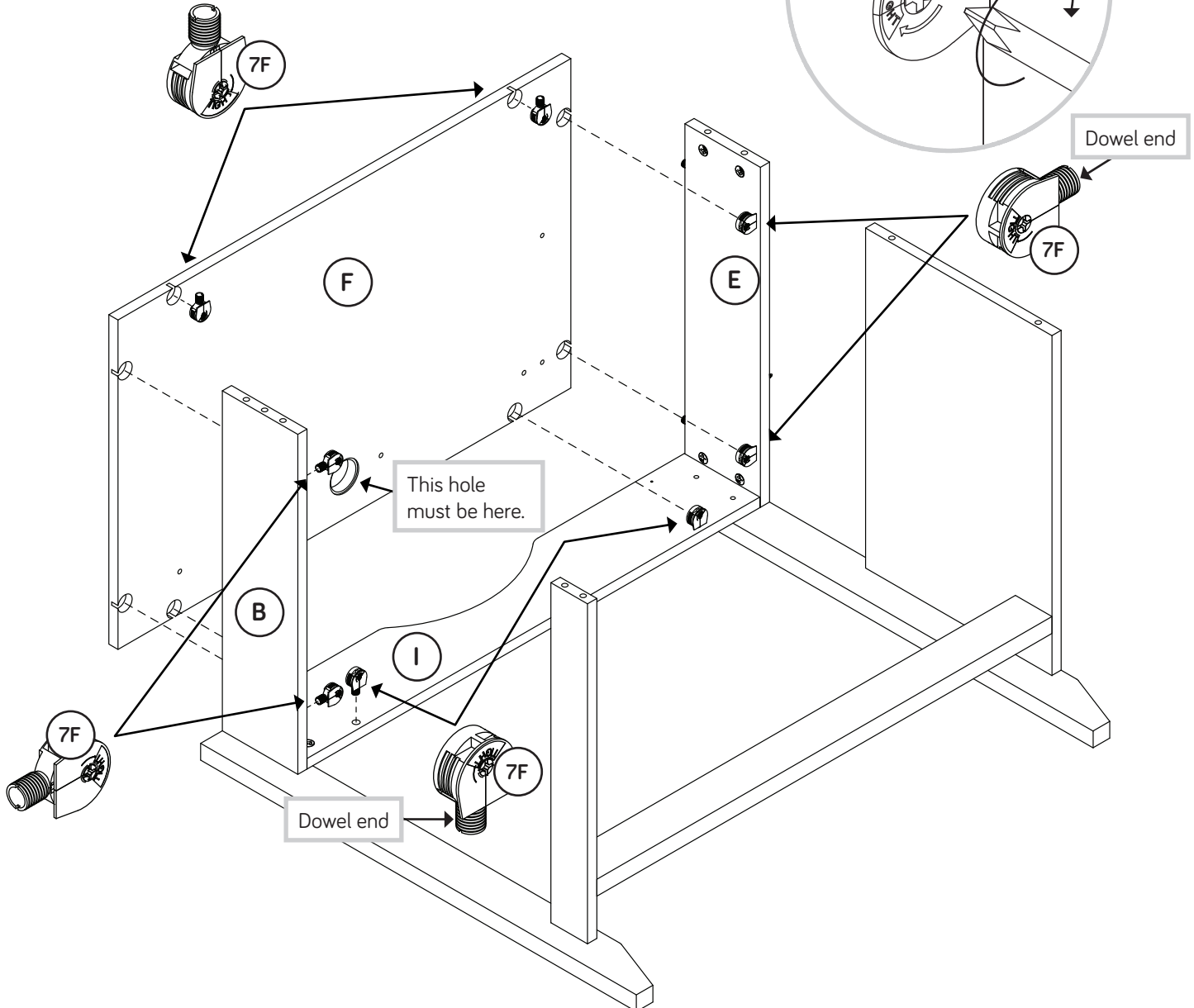
- 🔩 **NOTE:** Position the TWIST-LOCK® FASTENERS exactly as shown.
- 🔩 Insert the dowel end of eight SAUDER TWIST-LOCK® FASTENERS (7F) into the LEFT END (B), LONG BACK (I), and UPRIGHT (E).
- 🔩 Push the LARGE BOTTOM (F) onto the TWIST-LOCK® FASTENERS (7F) working each one into the large holes in the LEFT BOTTOM.
- 🔩 Tighten six TWIST-LOCK® FASTENERS (7F).
- 🔩 Push the two remaining TWIST-LOCK® FASTENERS (7F) into the long edge of the LARGE BOTTOM (F).

How to use the SAUDER TWIST-LOCK® FASTENER

1. Insert the dowel end of the FASTENER into the hole of the adjoining part.

NOTE: The dowel end of the FASTENER must remain fully inserted in the hole of the adjoining part while locking the FASTENER.

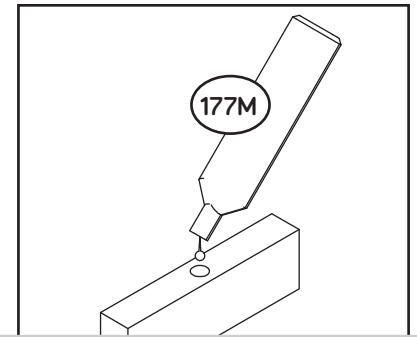
2. Tighten the FASTENER with a Phillips screwdriver as tight as possible.



Step 14

First, fill the holes in the short edges of the FRONT (K) 1/4 to 1/2 full with GLUE (177M). Then, insert two WOOD DOWELS (15F) into the holes. Wipe away the excess GLUE.

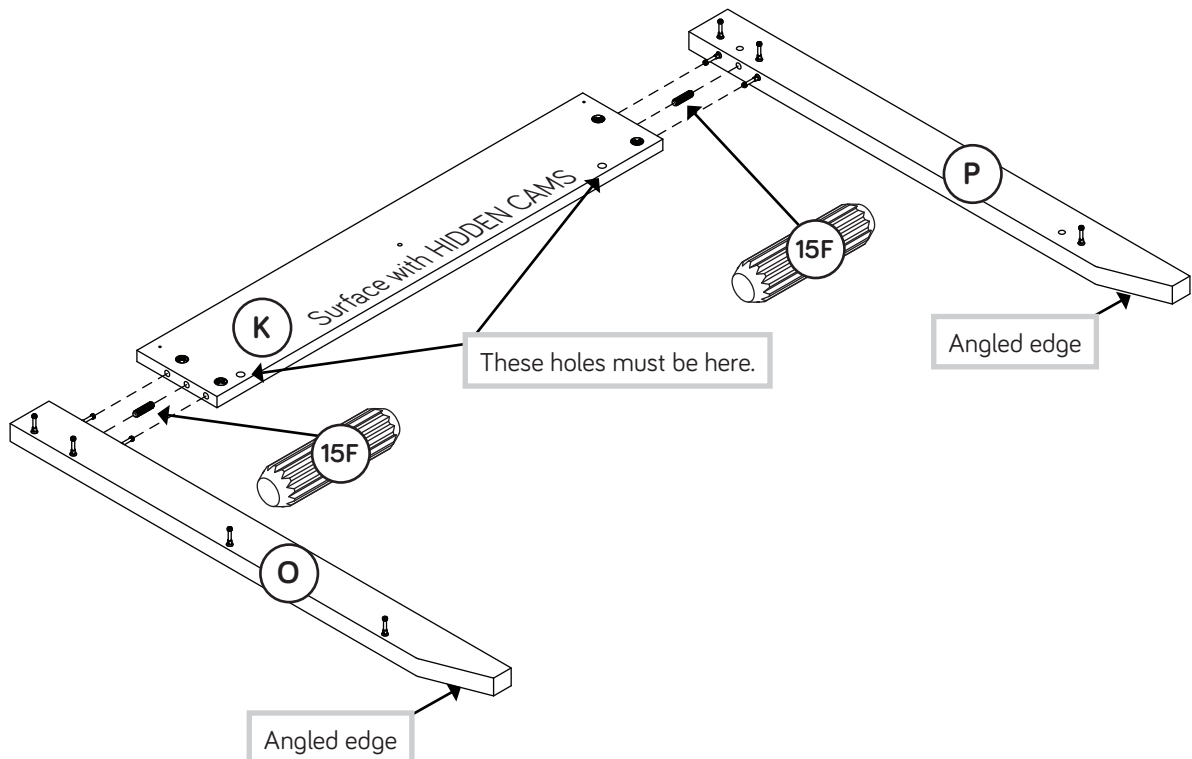
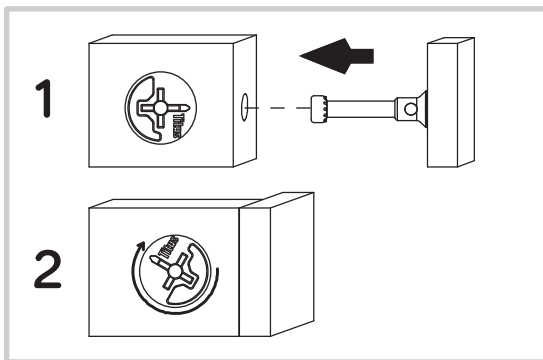
Now, fill the holes in the FRONT LEGS (O and P) a 1/4 to 1/2 full with GLUE. Then, insert the WOOD DOWELS (15F) in the FRONT (K) into the holes in the FRONT LEGS (O and P). Tighten four HIDDEN CAMS. Wipe away the excess GLUE.



Fill the holes 1/4 to 1/2 full with GLUE.

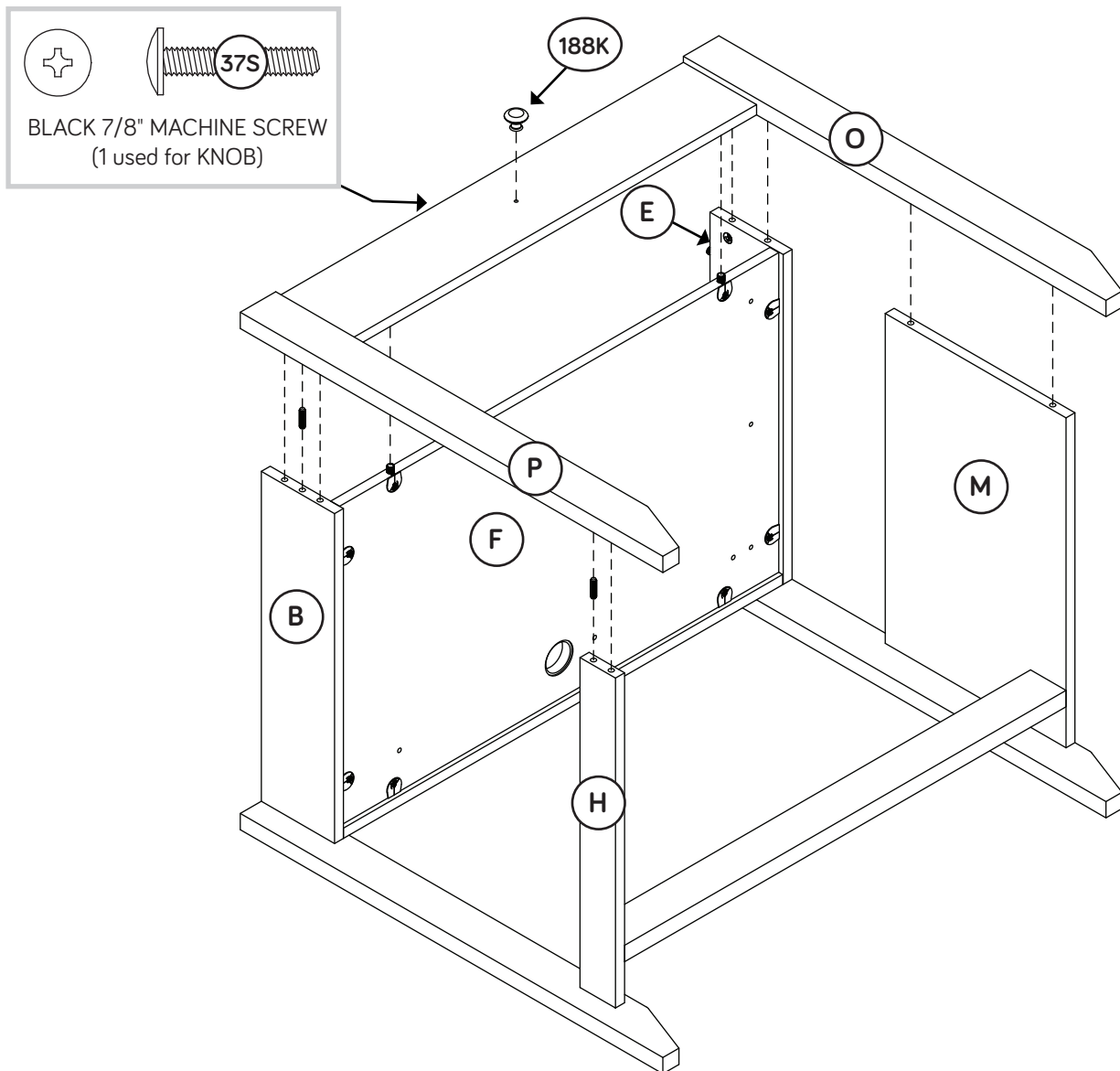
⚠ Caution

Inspect the parts thoroughly before assembling. Disassembly of glued parts is extremely difficult.



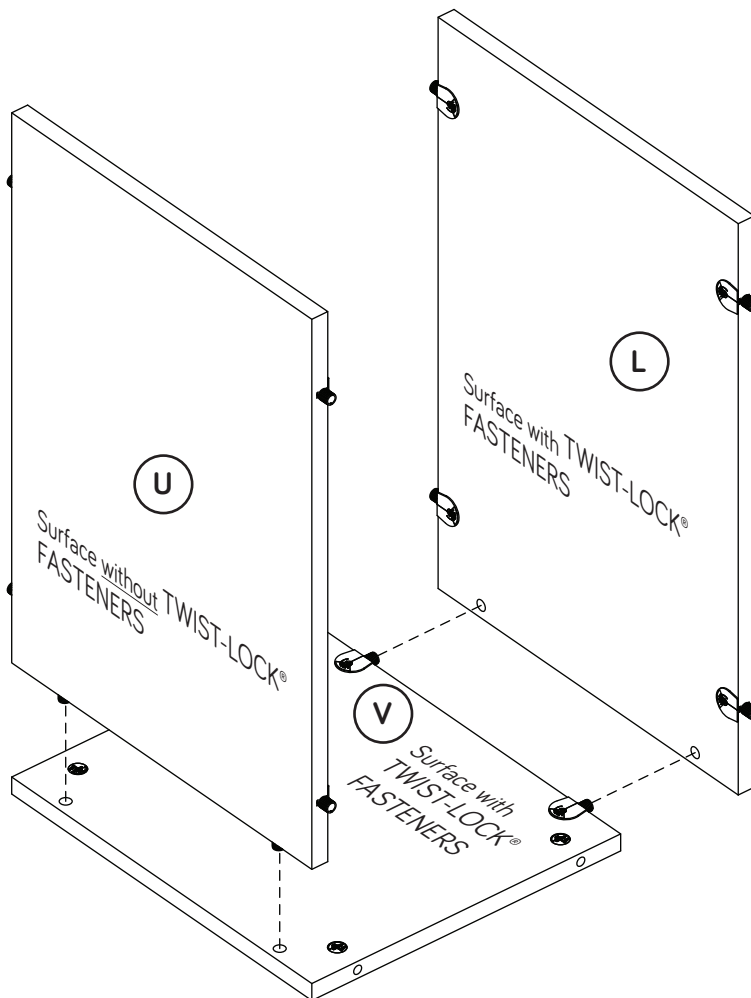
Step 15

- First, fill the holes in the short edge of the LEFT END (B) and STRETCHER (H) 1/4 to 1/2 full with GLUE (54M). Then, insert a WOOD DOWEL (15F) into each hole. Wipe away the excess GLUE.
- Now, fill the holes in the LEFT FRONT LEG (P) 1/4 to 1/2 full with GLUE. Then, insert the WOOD DOWELS (15F) in the LEFT END (B) and STRETCHER (H) into the holes in the LEFT FRONT LEG (P). Tighten seven HIDDEN CAMS. Wipe away the excess GLUE.
- Fasten the KNOB (188K) to the FRONT (K). Use a BLACK 7/8" MACHINE SCREW (37S).



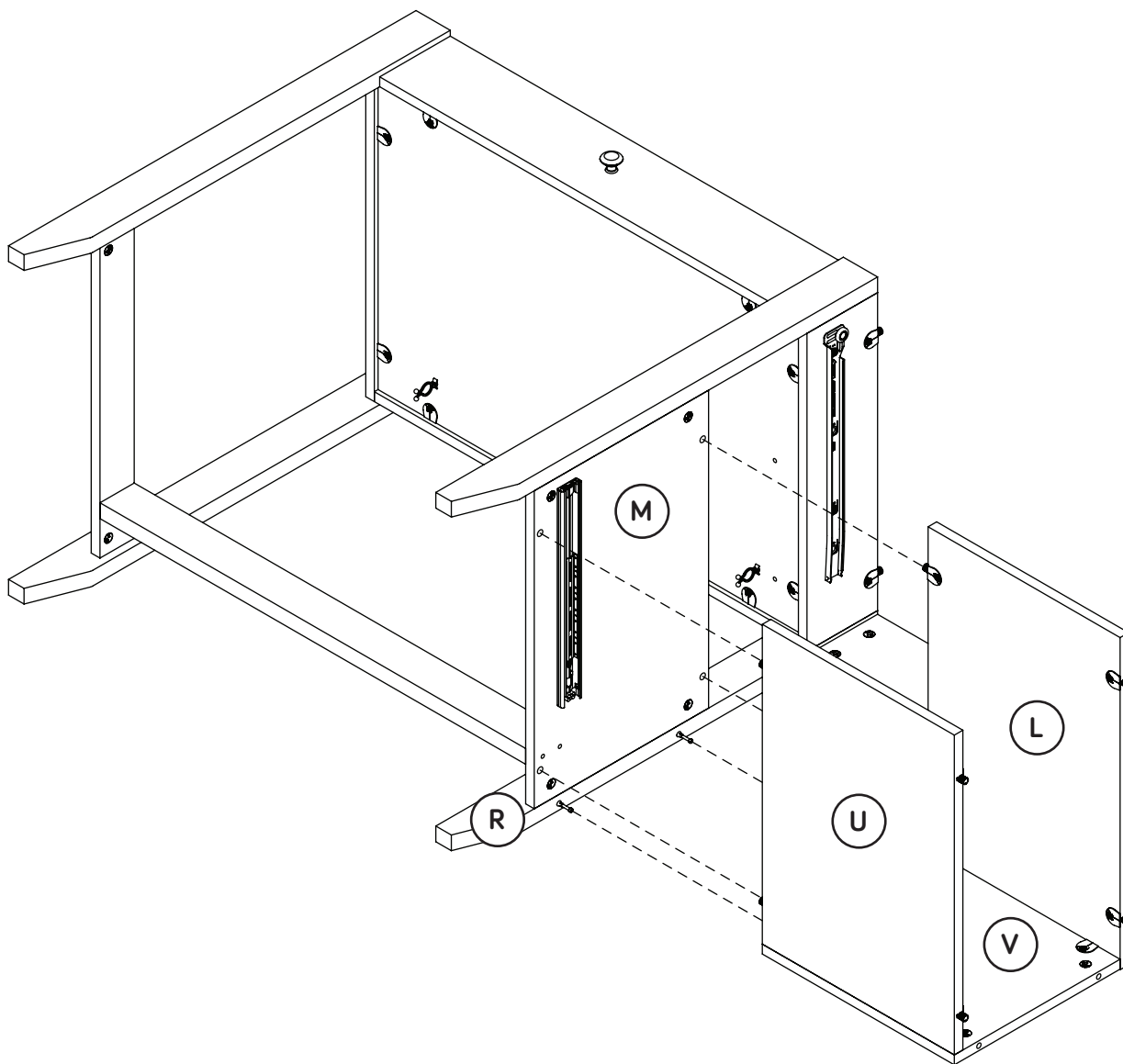
Step 17

- Fasten the PEDESTAL BOTTOM (U) and SHELF (L) to the PEDESTAL BACK (V). Tighten four TWIST-LOCK® FASTENERS.



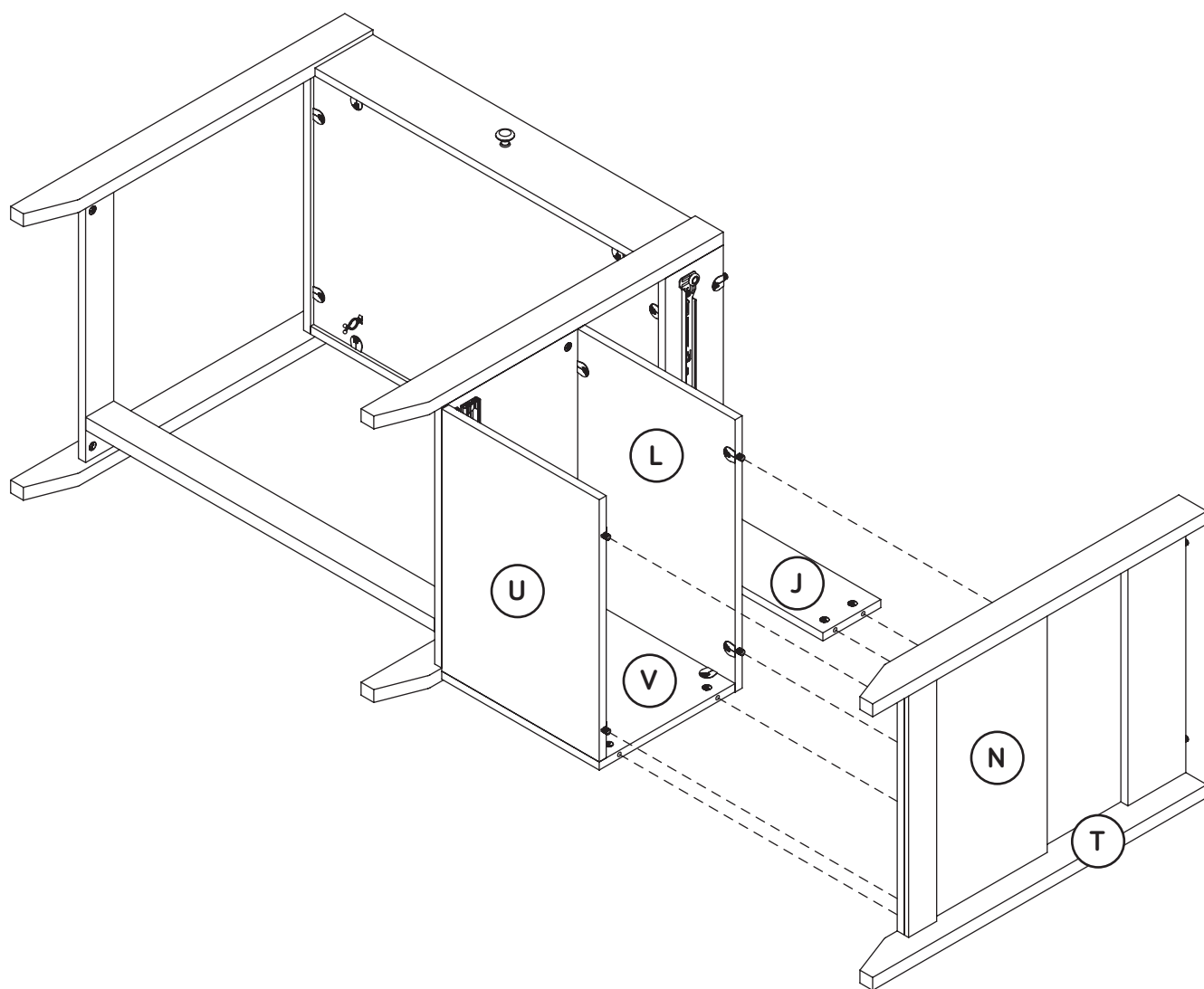
Step 18

- Fasten the SHELF (L) and PEDESTAL BOTTOM (U) to the PEDESTAL LEFT END (M). Tighten four TWIST-LOCK® FASTENERS.
- Fasten the PEDESTAL BACK (V) to the REAR LEG (R). Tighten two HIDDEN CAMS.



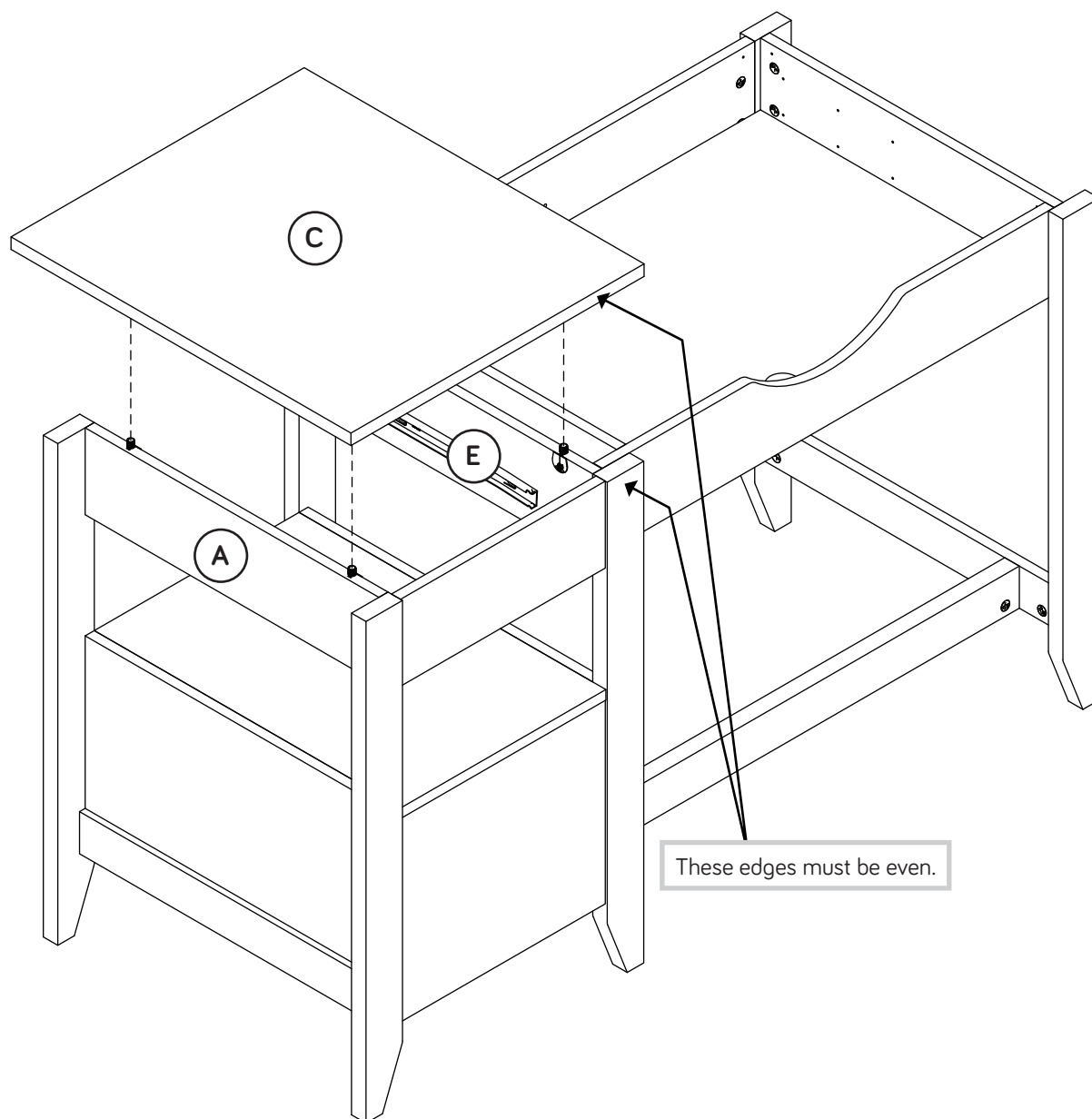
Step 19

- Fasten the RIGHT REAR LEG (T) to the PEDESTAL BACK (V) and SMALL BACK (J). Tighten four HIDDEN CAMS.
- Fasten the PEDESTAL RIGHT END (N) to the PEDESTAL BOTTOM (U) and SHELF (L). Tighten four TWIST-LOCK® FASTENERS.



Step 20

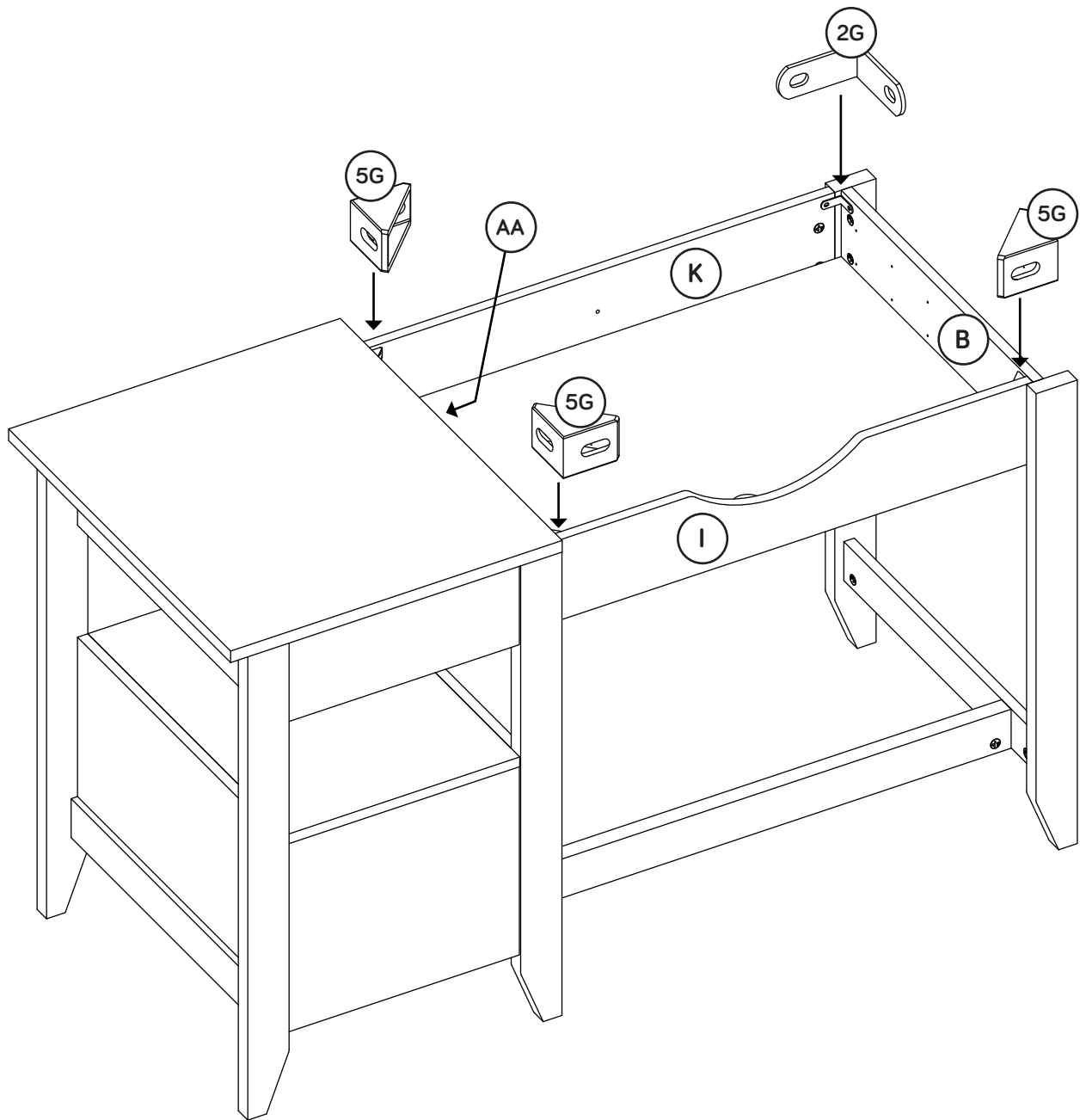
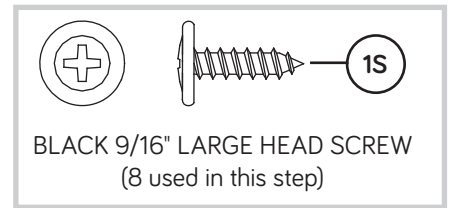
- ✚ Carefully stand your unit upright.
- ✚ Fasten the TOP (C) to the RIGHT END (A) and UPRIGHT (E).
Tighten four TWIST-LOCK® FASTENERS.



Step 21

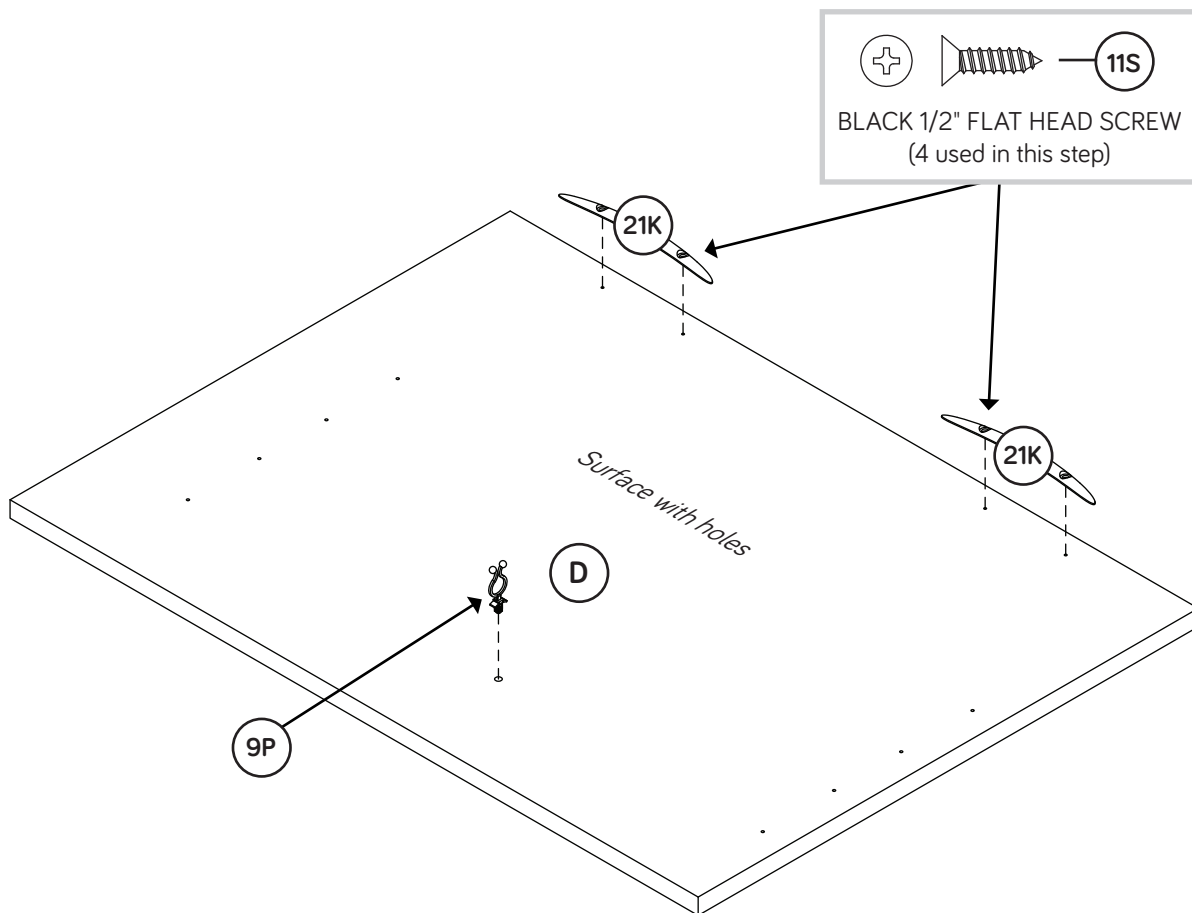
Fasten three ANGLE BRACKETS (5G) to the LONG BACK (I), LEFT END (B), SMALL UPRIGHT (AA) and FRONT (K). Use six BLACK 9/16" LARGE HEAD SCREWS (1S).

Fasten a METAL BRACKET (2G) to the LEFT END (B) and FRONT (K). Use two BLACK 9/16" LARGE HEAD SCREWS (1S).



Step 22

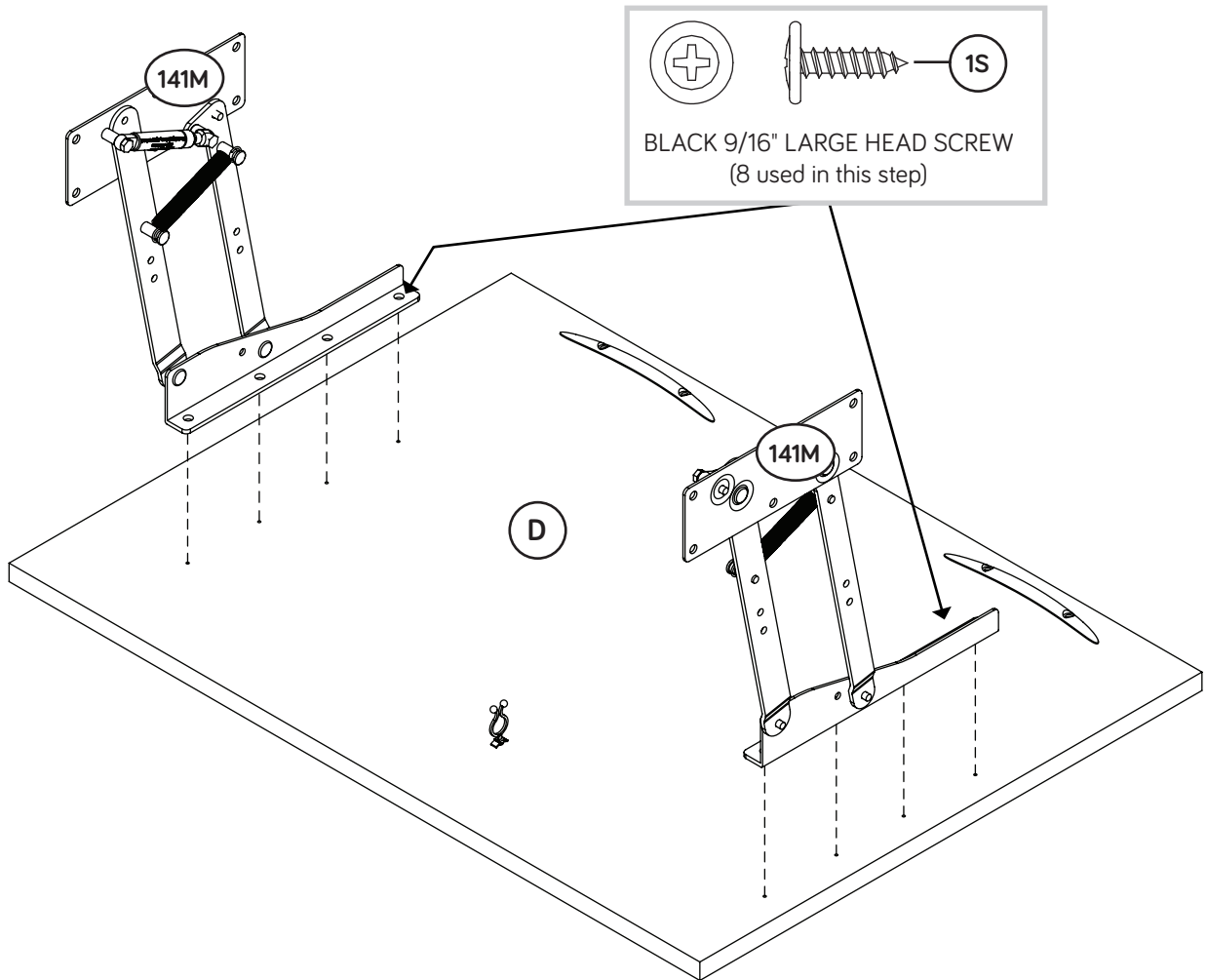
- ✚ Turn a CORD CLIP (9P) into the hole in the LIFT-TOP (D).
- ✚ Fasten two LONG PULLS (21K) to the LIFT-TOP (D). Use four BLACK 1/2" FLAT HEAD SCREWS (11S).



Step 23

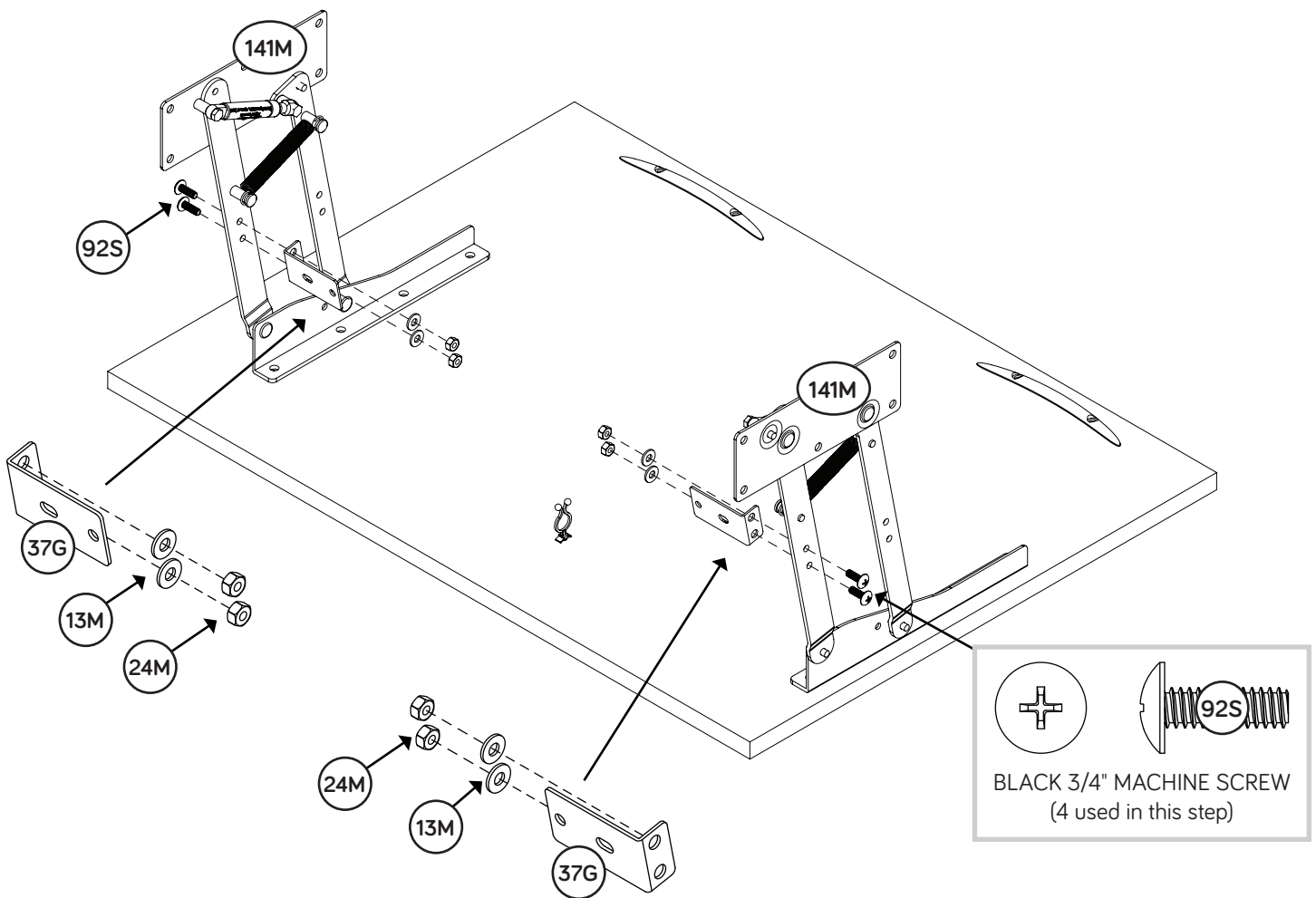
Fasten the LIFT TABLE MECHANISMS (141M) to the LIFT-TOP (D). Use eight BLACK 9/16" LARGE HEAD SCREWS (1S).

NOTE: Be sure to fasten the LIFT TABLE MECHANISMS exactly as shown.



Step 24

- Fasten the SUPPORT BRACKETS (37G) to the LIFT TABLE MECHANISMS (141M). Use four WASHERS (13M), four NUTS (24M), and four BLACK 3/4" MACHINE SCREWS (92S).

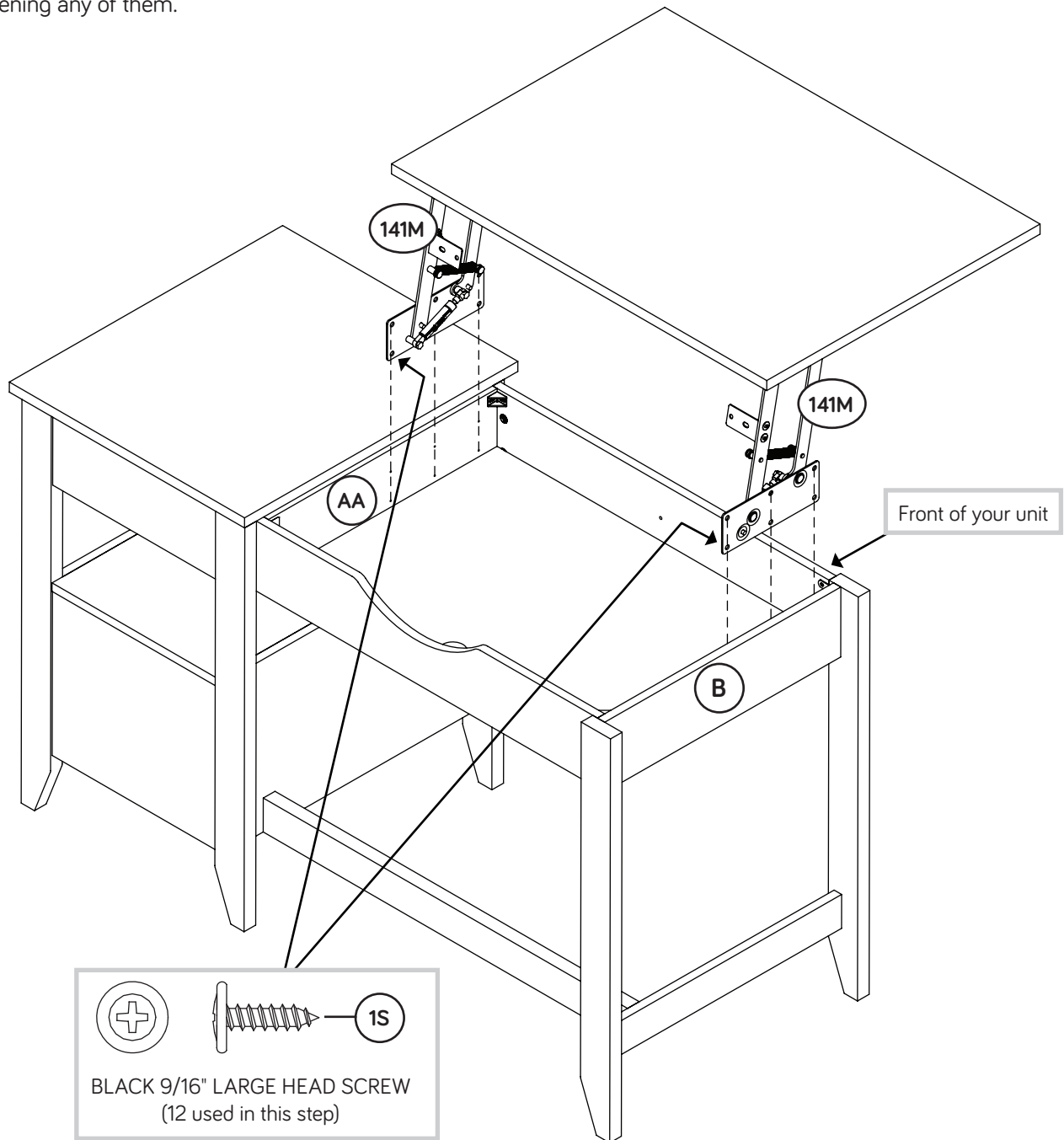


Step 25

- ✚ **IMPORTANT:** You will need someone's help in this step.
- ✚ Fasten the LIFT TABLE MECHANISMS (141M) to the LEFT END (B) and SMALL UPRIGHT (AA). Use twelve BLACK 9/16" LARGE HEAD SCREWS (1S).
- ✚ **NOTE:** Be careful when lining up the holes in the MECHANISMS with the holes in the END and UPRIGHT as to not damage any parts. You should start each SCREW a few turns before completely tightening any of them.

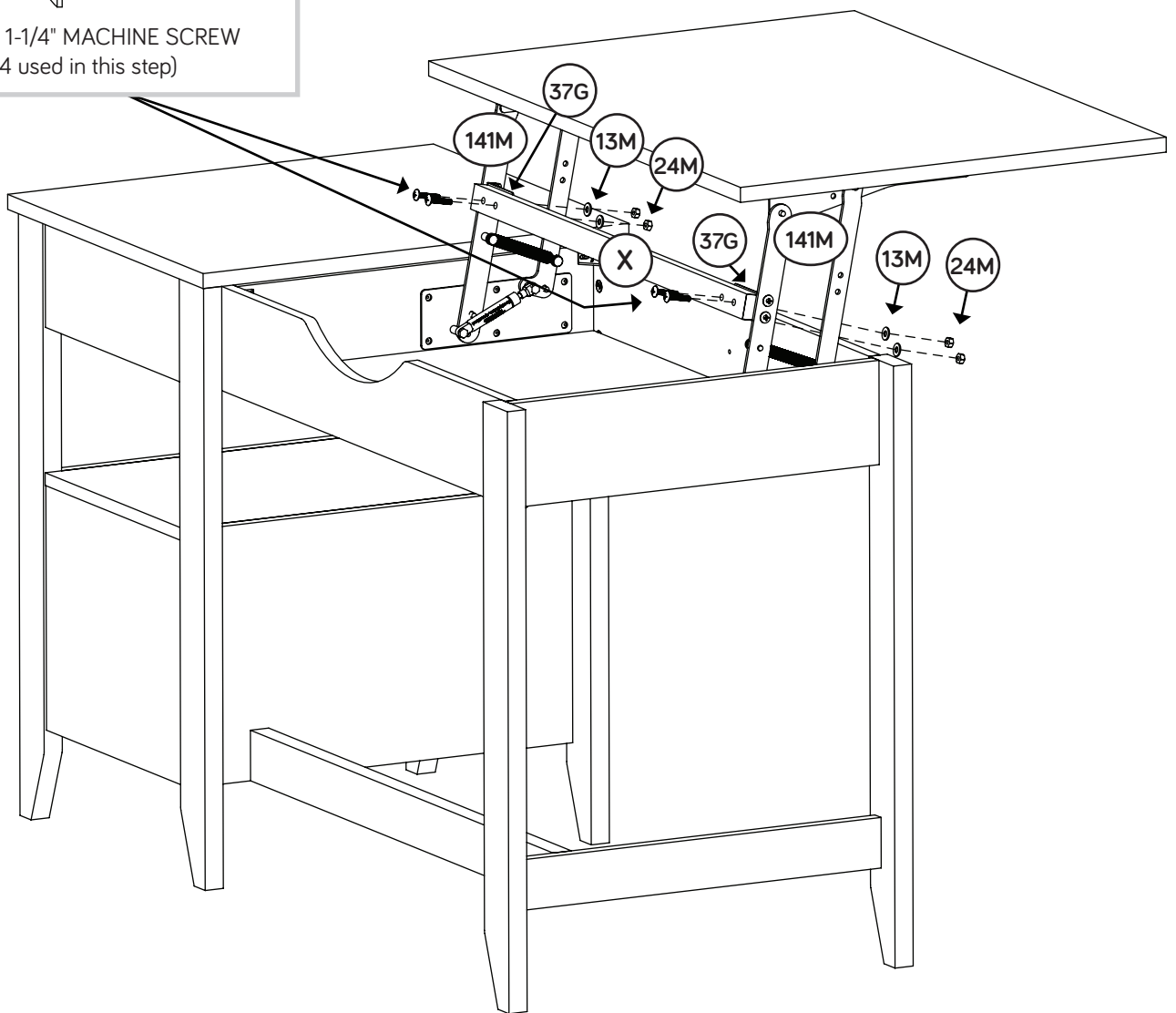
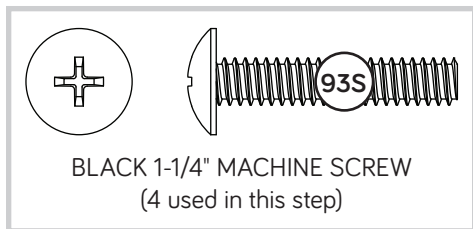


Hey! It's starting to look like something!



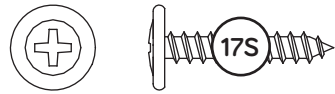
Step 26

- Fasten the LIFT-TOP STRETCHER (X) to the SUPPORT BRACKETS (37G) on the LIFT TABLE MECHANISMS (141M). Use four WASHERS (13M), four NUTS (24M), and four BLACK 1-1/4" MACHINE SCREWS (93S).

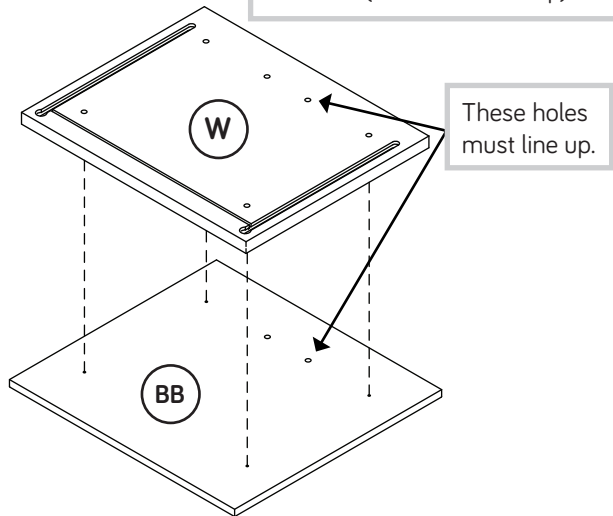


Step 27

1



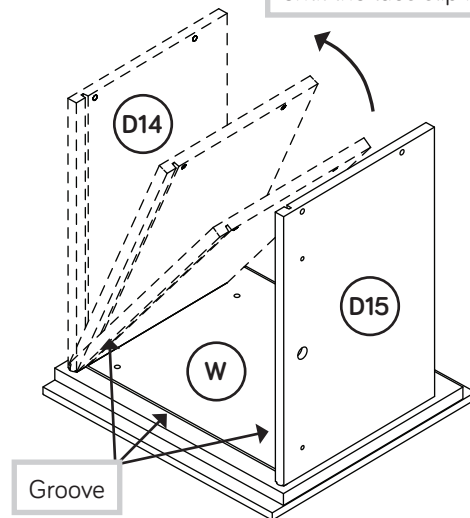
BLACK 7/8" LARGE HEAD SCREW
(4 used in this step)



Fasten the LARGE DRAWER BOX FRONT (W) to the LARGE DRAWER FRONT (BB). Use four BLACK 7/8" LARGE HEAD SCREWS (17S).

2

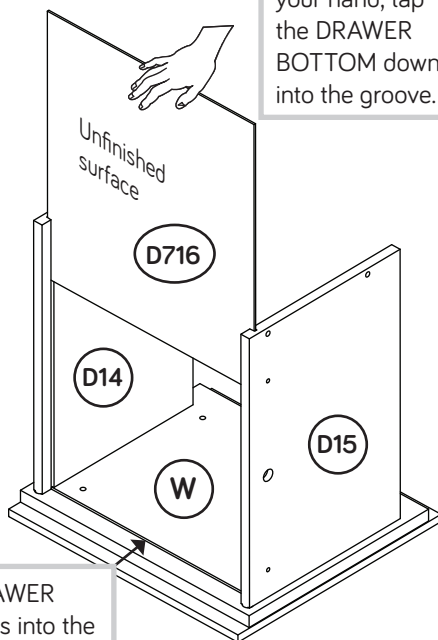
The tabs should insert freely into the slots. Gently tilt the DRAWER SIDES side to side until the tabs slip into the slots.



Insert the LARGE DRAWER SIDES (D14 and D15) at an angle into the slot at each end of the LARGE DRAWER BOX FRONT (W).

3

With the palm of your hand, tap the DRAWER BOTTOM down into the groove.

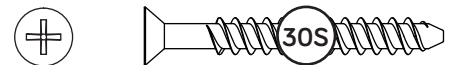


Be sure the DRAWER BOTTOM inserts into the DRAWER FRONT groove.

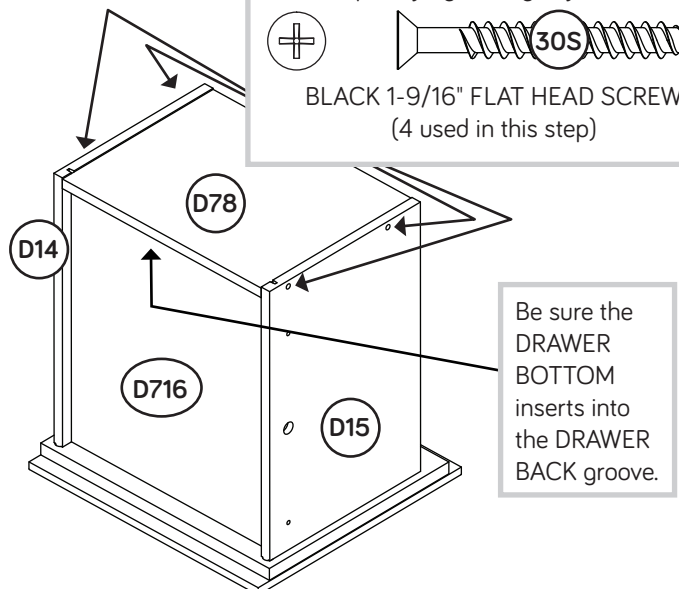
Slide the DRAWER BOTTOM (D716) into the grooves in the DRAWER SIDES (D14 and D15) and LARGE DRAWER BOX FRONT (W).

4

Start each screw a few turns before completely tightening any of them.



BLACK 1-9/16" FLAT HEAD SCREW
(4 used in this step)

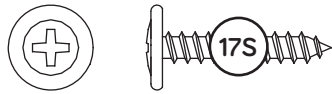


Fasten the DRAWER BACK (D78) to the DRAWER SIDES (D14 and D15). Use four BLACK 1-9/16" FLAT HEAD SCREWS (30S).

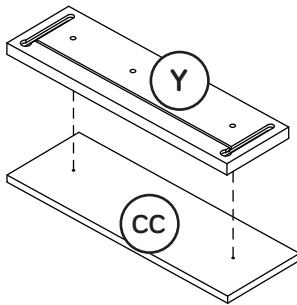
NOTE: Be sure the DRAWER BOTTOM (D716) inserts into the groove of the DRAWER BACK (D78).

Step 28

1



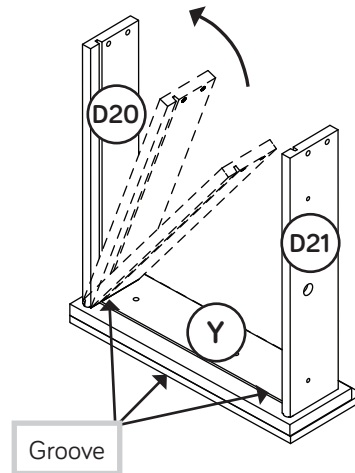
BLACK 7/8" LARGE HEAD SCREW
(2 used in this step)



- Fasten the SMALL DRAWER BOX FRONT (Y) to the SMALL DRAWER FRONT (CC). Use two BLACK 7/8" LARGE HEAD SCREWS (17S).

2

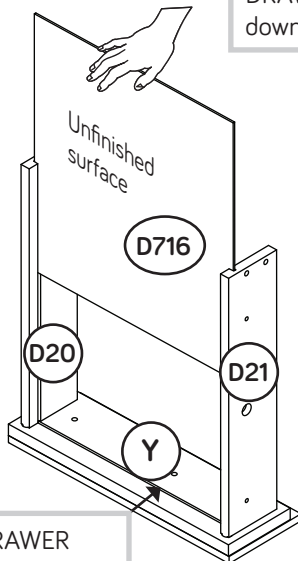
The tabs should insert freely into the slots. Gently tilt the DRAWER SIDES side to side until the tabs slip into the slots.



- Insert the SMALL DRAWER SIDES (D20 and D21) at an angle into the slot at each end of the SMALL DRAWER BOX FRONT (Y).

3

With the palm of your hand, tap the DRAWER BOTTOM down into the groove.

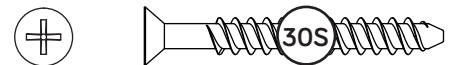


Be sure the DRAWER BOTTOM inserts into the DRAWER FRONT groove.

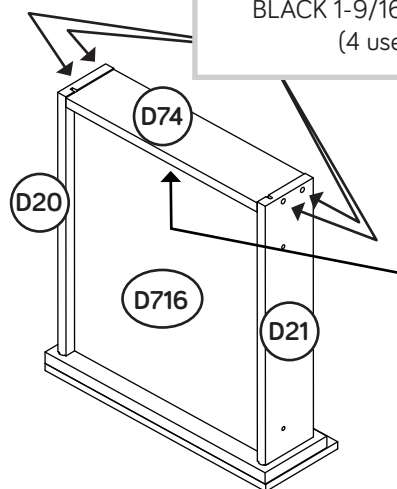
- Slide the DRAWER BOTTOM (D716) into the grooves in the DRAWER SIDES (D20 and D21) and SMALL DRAWER BOX FRONT (Y).

4

Start each screw a few turns before completely tightening any of them.



BLACK 1-9/16" FLAT HEAD SCREW
(4 used in this step)

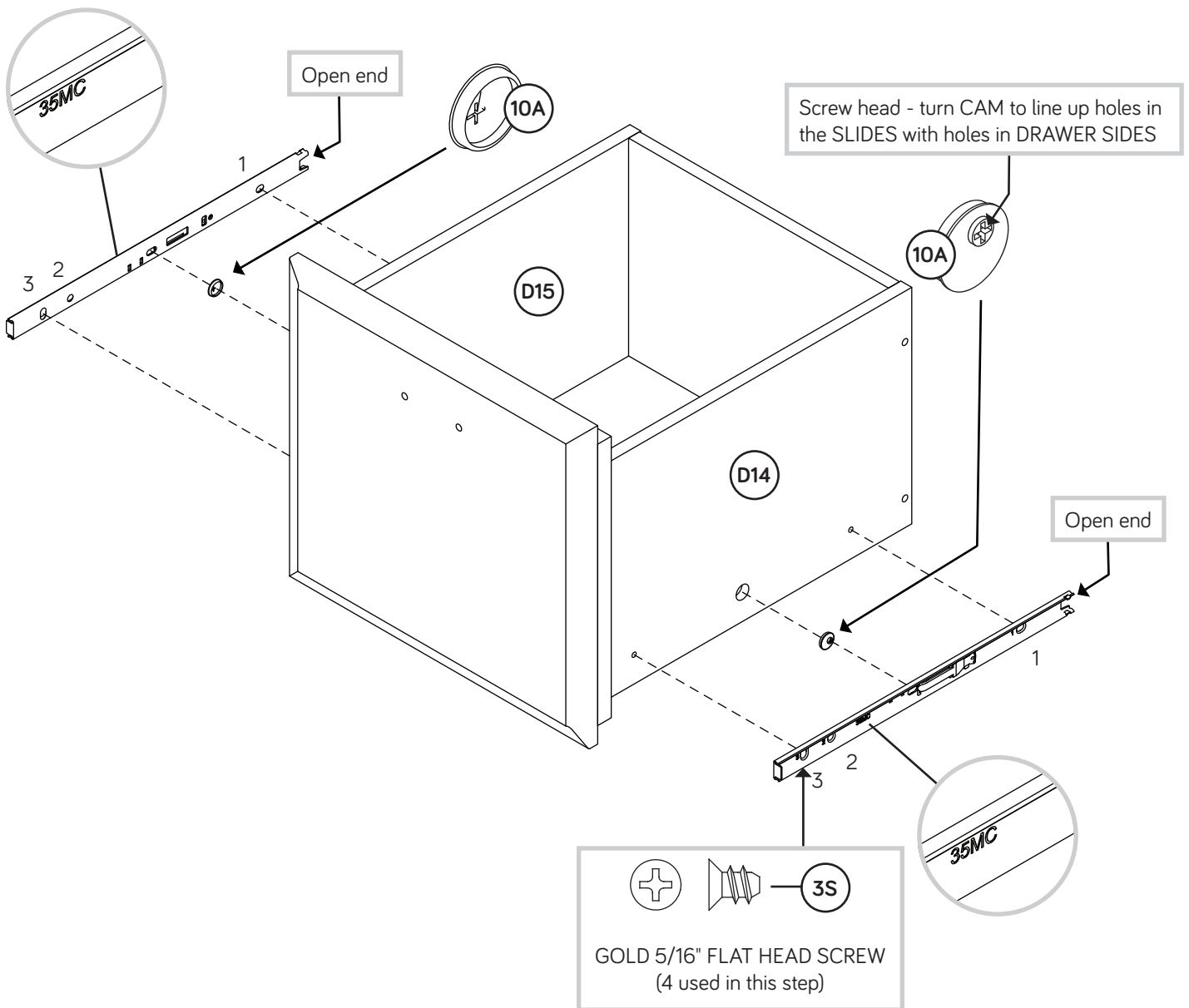


Be sure the DRAWER BOTTOM inserts into the DRAWER BACK groove.

- Fasten the DRAWER BACK (D74) to the DRAWER SIDES (D20 and D21). Use four BLACK 1-9/16" FLAT HEAD SCREWS (30S).
- NOTE:** Be sure the DRAWER BOTTOM (D716) inserts into the groove of the DRAWER BACK (D74).

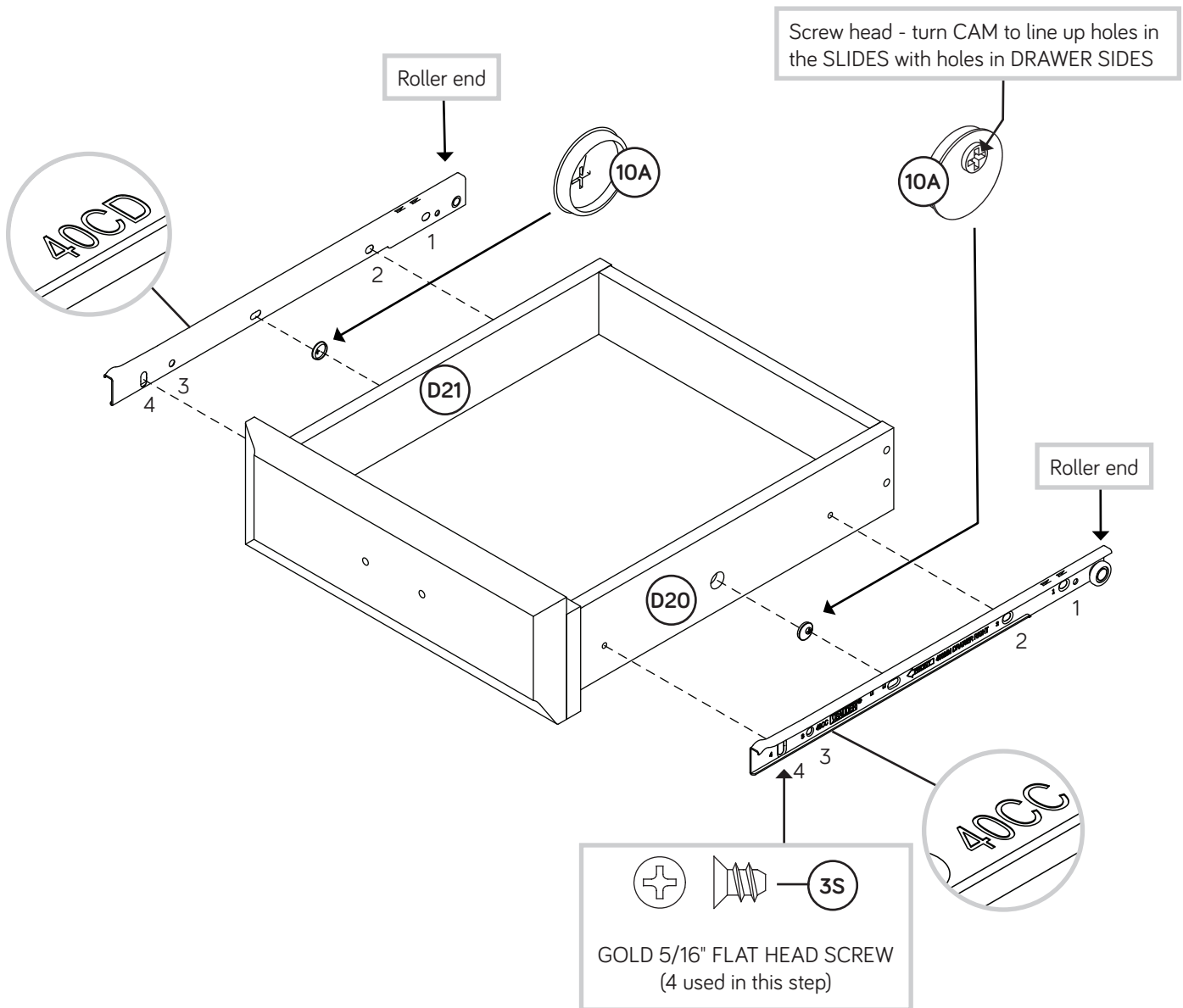
Step 29

- ✚ Insert a SLIDE CAM (10A) into the LARGE DRAWER SIDES (D14 and D15).
- ✚ Fasten the EXTENSION SLIDES (35MC) to the LARGE DRAWER SIDES (D14 and D15).
Use four GOLD 5/16" FLAT HEAD SCREWS (3S).
- ✚ NOTE: The screw head in the CAM must be visible through the slotted hole in the SLIDE.



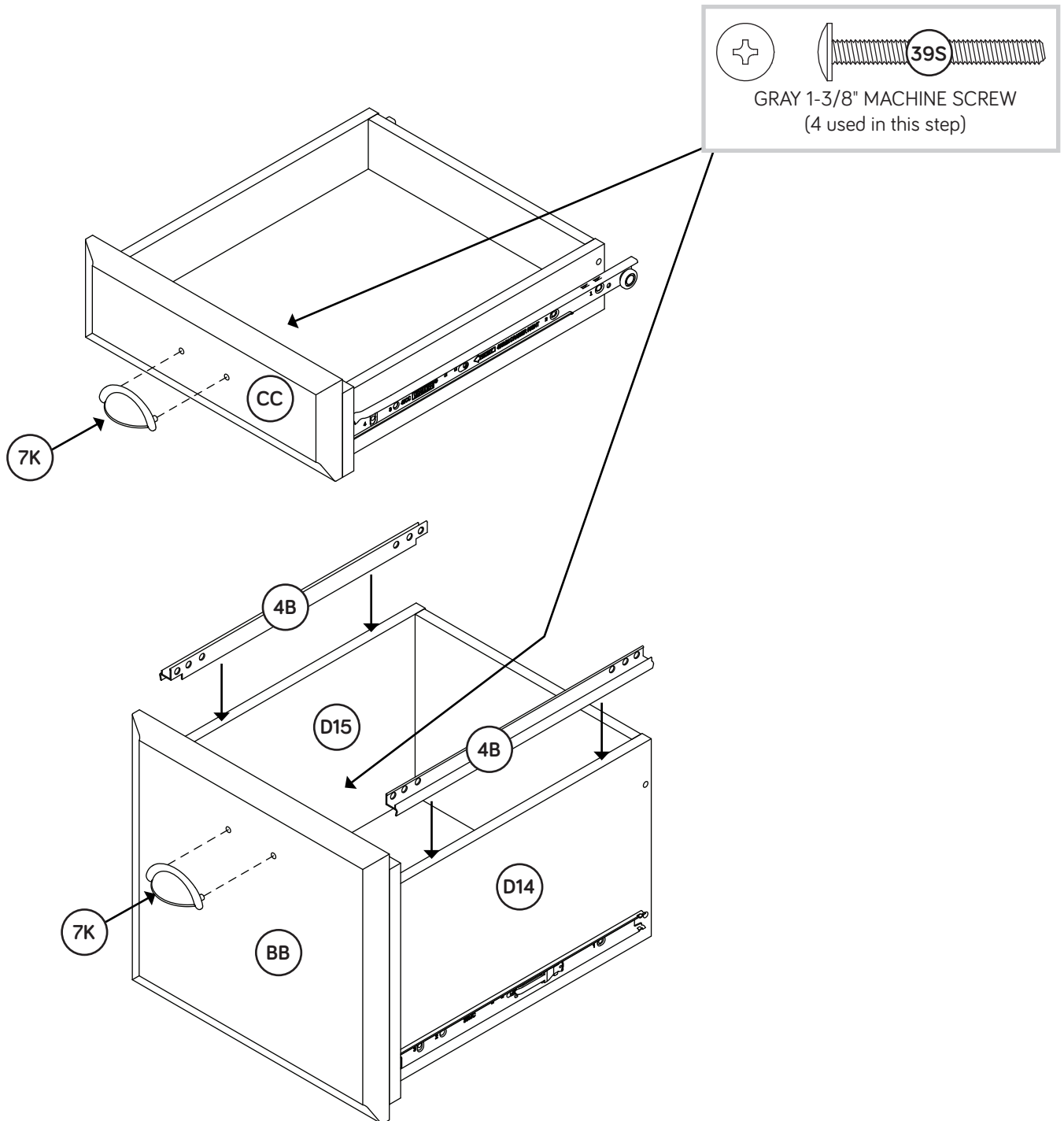
Step 30

- ✚ Insert a SLIDE CAM (10A) into the SMALL DRAWER SIDES (D20 and D21).
- ✚ Fasten the DRAWER RIGHT (40CC) and DRAWER LEFT (40CD) to the DRAWER SIDES (D20 and D21). Use four GOLD 5/16" FLAT HEAD SCREWS (3S) through holes #2 and #4.
- ✚ **NOTE:** The screw head in the CAM must be visible through the slotted hole in the SLIDE.



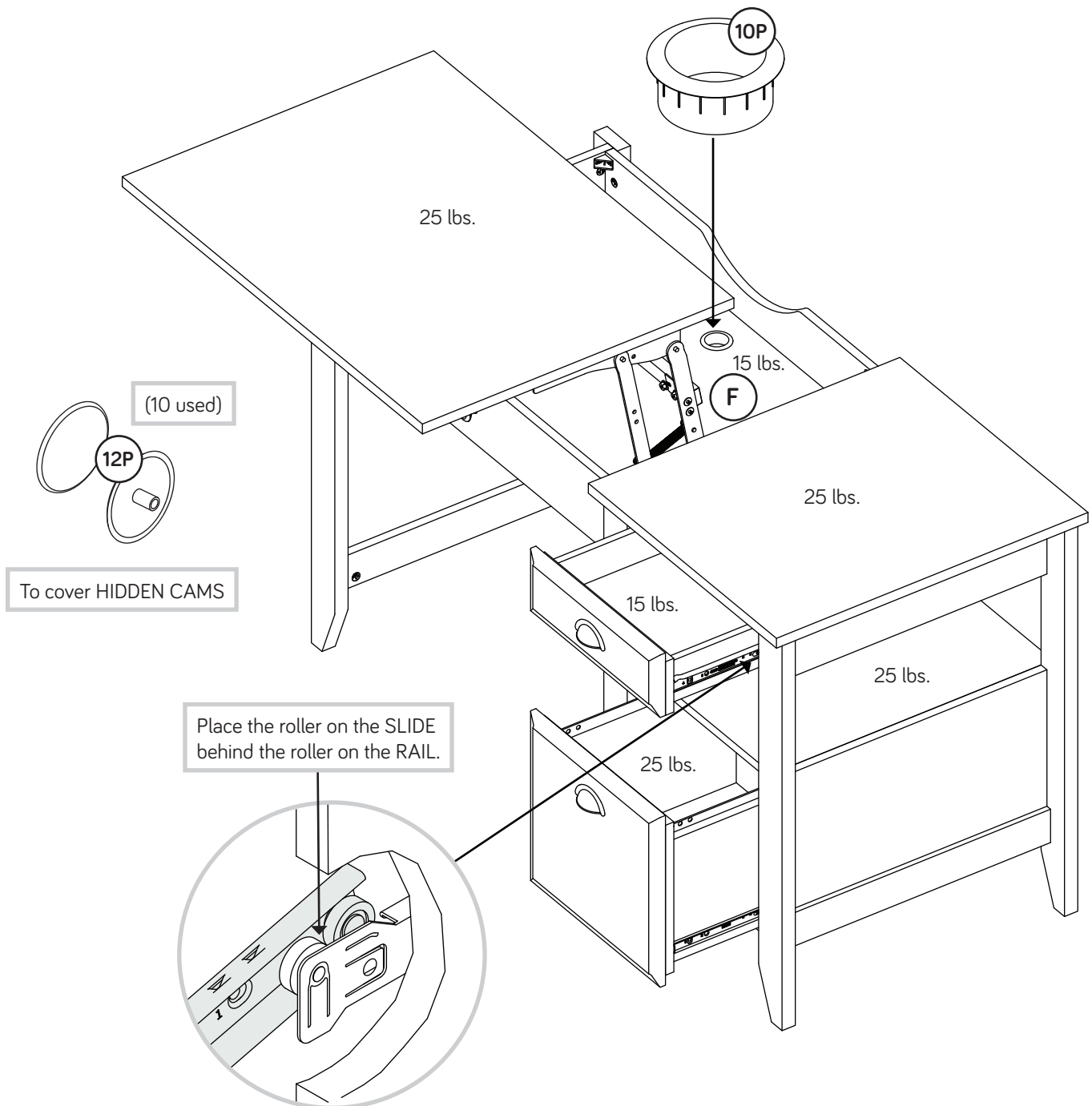
Step 31

- Fasten the PULLS (7K) to the DRAWER FRONTS (BB and CC).
Use four GRAY 1-3/8" MACHINE SCREWS (39S).
- Push a FILE GLIDE (4B) onto the top edge of each LARGE DRAWER SIDE (D14 and D15).



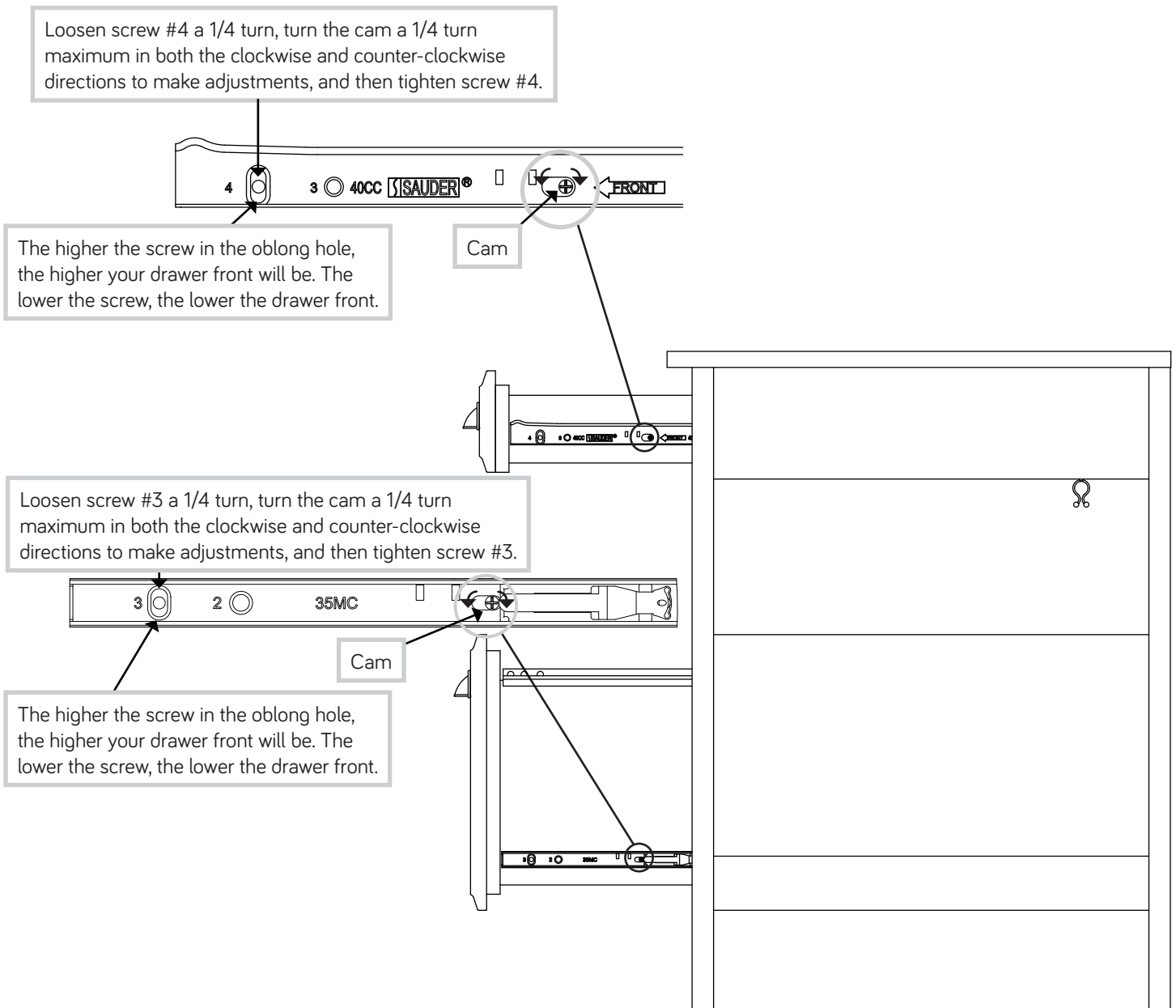
Step 32

- ✚ Insert the GROMMET (10P) into the large hole in the LARGE BOTTOM (F).
- ✚ Using your hammer, gently tap a CAM COVER (12P) onto each HIDDEN CAM.
- ✚ To insert the small drawer into your unit, tip the front of the drawer down and drop the rollers on the drawer behind the rollers on the unit. Lift the front of the drawer up and slide it into the unit.
- ✚ To insert the large drawer into your unit, line up the EXTENSION SLIDES on the drawer with the EXTENSION RAILS on the unit and push the drawer into the unit until the drawer is fully inserted. The drawer will push in hard until it is all the way in, then it will slide in and out easier.



Step 33

- To make adjustments to the small drawer, loosen SCREW #4 in the SLIDES a 1/4 turn, then turn the CAM clockwise or counter-clockwise. Notice how the drawer raises or lowers as you turn the CAM. The higher the screw in the oblong hole, the higher your drawer front will be. The lower the screw, the lower the drawer front. By adjusting the drawer this way, it will help the DRAWER FRONT line up better when closed. Tighten the SCREW when finished with adjustments.
- To make adjustments to the large drawer, loosen SCREW #3 in the SLIDES a 1/4 turn, then turn the CAM clockwise or counter-clockwise and then tighten the screw when finished making adjustments.
- NOTE:** Please read the back pages of the instruction booklet for important safety information.
- This completes assembly. Clean with a damp cloth. Wipe dry.



⚠ WARNING

Please use your furniture correctly and safely. Improper use can cause safety hazards, or damage to your furniture or household items. **Carefully read the following chart.**

Look out for:	What can happen:	How to avoid the problem:
<ul style="list-style-type: none"> Overloaded shelves or drawers. Improper loading can cause the product to be top-heavy. 	<ul style="list-style-type: none"> Risk of injury. Top-heavy furniture can tip over. Overloaded shelves and drawers can break. 	<ul style="list-style-type: none"> Never exceed the weight limits shown in the instructions. Work from bottom to top when loading shelves and drawers. Place the heavier items on the lower shelves or in lower drawers.
<ul style="list-style-type: none"> Improperly moving furniture that is not designed and equipped with casters. 	<ul style="list-style-type: none"> Furniture can tip over or break if improperly moved. Physical injury. Furniture can be very heavy. Breakage of tops - particularly with double pedestal furniture (drawers at both ends). 	<ul style="list-style-type: none"> Unload shelves and drawers from top to bottom before moving the unit. Do not push furniture, especially on a carpeted floor. Have a friend help you lift the item and set it in place. Provide support to the center section of the top when lifting the furniture.
<ul style="list-style-type: none"> Placing TVs on furniture items that are not designed to support a television is hazardous. 	<ul style="list-style-type: none"> Risk of injury or death. TVs can be very heavy. Plus the weight and location of the picture tube tends to make TVs unbalanced and prone to tipping forward. 	<ul style="list-style-type: none"> This product is not designed to support a television.

⚠ AVERTISSEMENT

Prière d'utiliser le mobilier à bon escient et avec prudence. Une mauvaise utilisation peut être à l'origine de risques d'accident ou peut endommager le mobilier et les articles ménagers. **Lire attentivement le tableau suivant.**

À surveiller :	Danger éventuel :	Solution :
<ul style="list-style-type: none"> Tablettes ou tiroirs surchargés. En cas de chargement inadéquat l'élément peut être lourd du haut. 	<ul style="list-style-type: none"> Risque de blessure. Du mobilier mal équilibré risque de se renverser. Tablettes et tiroirs surchargés risquent de casser. 	<ul style="list-style-type: none"> Ne jamais excéder les limites de poids indiquées dans les instructions. Pour charger les tablettes et tiroirs, commencer par remplir celui du bas pour finir par celui du haut. Placer les articles plus lourds sur les tablettes inférieures ou dans les tiroirs inférieurs.
<ul style="list-style-type: none"> Déplacement inadéquat d'un mobilier qui n'est pas conçu pour avoir des roulettes et n'en est pas équipé. 	<ul style="list-style-type: none"> Le mobilier risque de se renverser ou de casser en cas de déplacement inadéquat. Blessure physique. Le mobilier peut être très lourd. Défaillance des dessus surtout avec les éléments de double piédestaux (tiroirs en chaque extrémité). 	<ul style="list-style-type: none"> Décharger les tablettes et tiroirs en commençant par celui du haut avant de déplacer l'élément. Ne pas pousser le meuble, surtout sur la moquette. Se faire aider par une autre personne pour soulever l'élément et le mettre en place. Supporter la section centrale du dessus lorsque l'on soulève le meuble.
<ul style="list-style-type: none"> Il est dangereux de placer des téléviseurs sur des meubles que ne sont pas prévus à cet effet. 	<ul style="list-style-type: none"> Risque de blessures graves, voire mortelles. Les téléviseurs peuvent être particulièrement lourds. De plus, le poids et l'emplacement du tube image ont tendance à rendre les téléviseurs instables et enclins à tomber vers l'avant. 	<ul style="list-style-type: none"> Ce produit n'est pas destiné à supporter un téléviseur.